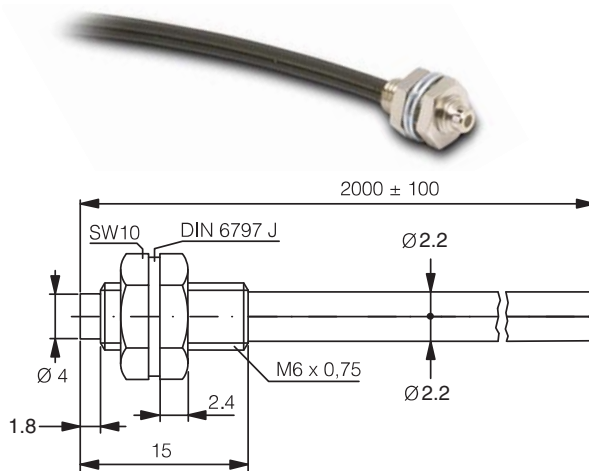


Cuttable Optical Fibers (2.2 mm Diameter)

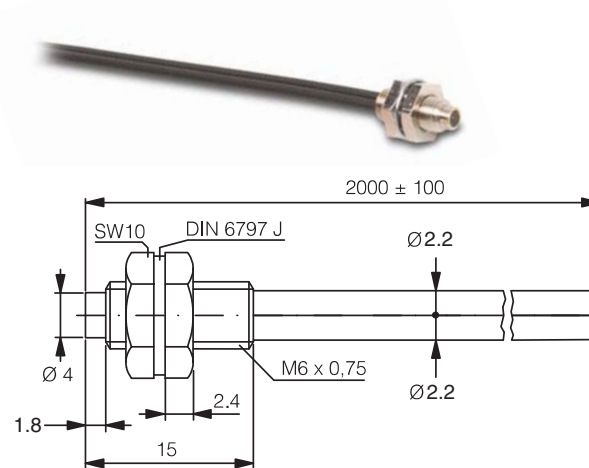
CF-DB1-20 diffuse reflection

Specifications	
Optical Fiber Core Ø	1mm (0.039in)
Sensing Distance with DFT and DFP series	200mm (7.87in)
Fiber Length (L)	2.0m (78.74in)
Fiber Bending Radius	25mm (0.98in)
Free Cut	Yes
Head Size	M6
Protection Degree	IEC IP67
Temperature Range	-25° to +70°C (-13° to 158°F)
Fiber Materials	PMMA
Sleeve Materials	Polyethylene
Head Materials	Nickel-plated brass



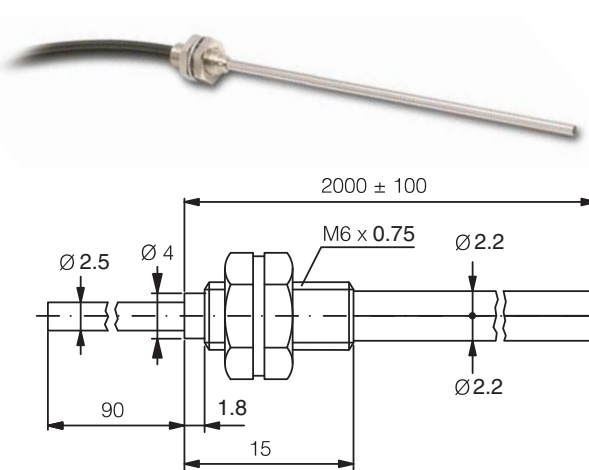
CF-DB2-20 diffuse reflection

Specifications	
Optical Fiber Core Ø	1.5mm (0.06in)
Sensing Distance with DFT and DFP Series	260mm (10.27in)
Fiber Length (L)	2.0m (78.74in)
Fiber Bending Radius	40mm (1.57in)
Free Cut	Yes
Head Size	M6
Protection Degree	IEC IP67
Temperature Range	-25° to +70°C (-13° to 158°F)
Fiber Materials	PMMA
Sleeve Materials	Polyethylene
Head Materials	Nickel-plated brass



CF-DB3-20 diffuse reflection

Specifications	
Optical Fiber Core Ø	1mm (0.039in)
Sensing Distance with DFT and DFP Series	200mm (7.87in)
Fiber Length (L)	2.0m (78.74in)
Fiber Bending Radius	25mm (0.98in)
Bendable light-outlet tube	Yes, 25mm (0.98in) radius
Free Cut	Yes
Head Size	M6
Protection Degree	IEC IP67
Temperature Range	-25° to +70°C (-13° to 158°F)
Fiber Materials	PMMA
Sleeve Materials	Polyethylene
Head Materials	Nickel-plated brass



PLC Overview

DL05/06 PLC

DL105 PLC

DL205 PLC

DL305 PLC

DL405 PLC

Field I/O

Software

C-more HMIs

Other HMI

AC Drives

Motors

Steppers/Servos

Motor Controls

Proximity Sensors

Photo Sensors

Limit Switches

Encoders

Current Sensors

Pushbuttons/Lights

Process

Relays/Timers

Comm.

TB's & Wiring

Power

Circuit Protection

Enclosures

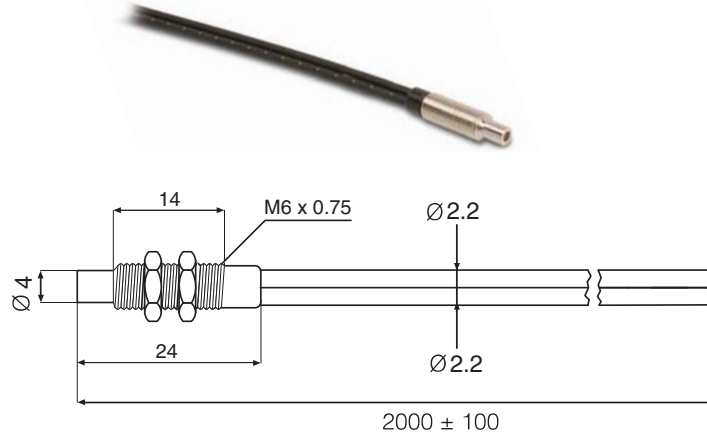
Appendix

Part Index

Cuttable Optical Fibers (2.2 mm Diameter)

CF-CB1-20 diffuse reflection

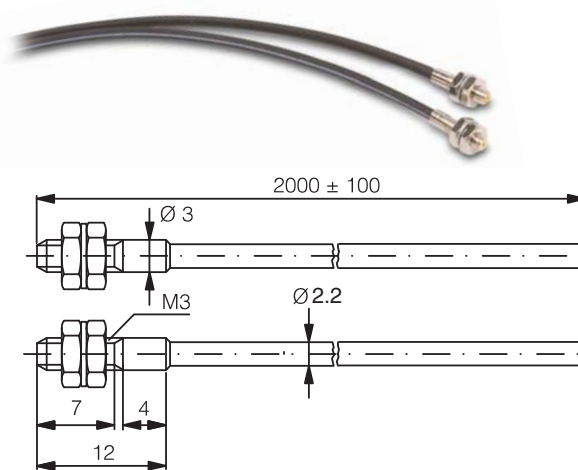
Specifications	
Optical Fiber Core Ø	1mm (0.039in)
Sensing Distance with SSF Series	50mm (1.97in)
Fiber Length (L)	2.0m (78.74in)
Fiber Bending Radius	25mm (0.98in)
Free Cut	Yes
Head Size	M6
Protection Degree	IEC IP67
Temperature Range	-40° to +70°C (-40° to 158°F)
Fiber Materials	PMMA
Sleeve Materials	Polyethylene
Head Materials	Nickel-plated brass



CF-TB1-20 through-beam

Specifications	
Optical Fiber Core Ø	0.5mm (0.02in)
Sensing Distance with DFT and DFP Series	200mm (7.87in)
Fiber Length (L)	2.0m (78.74in) ea. piece
Fiber Bending Radius	25mm (0.98in)
Free Cut	Yes
Head Size	M3
Protection Degree	IEC IP67
Temperature Range	-25° to +70°C (-13° to 158°F)
Fiber Materials	PMMA
Sleeve Materials	Polyethylene
Head Materials	Nickel-plated brass

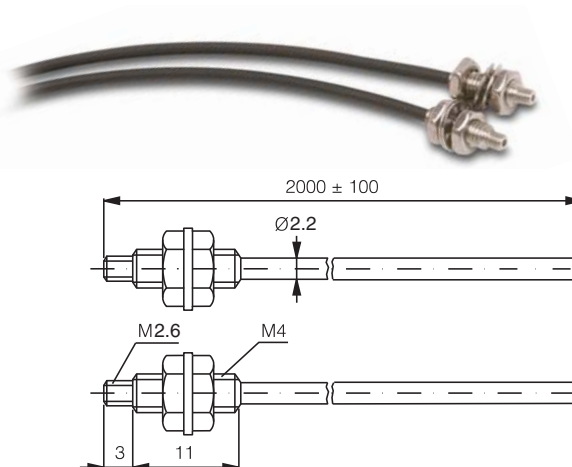
Includes 2 optical fiber cables



CF-TB2-20 through-beam

Specifications	
Optical Fiber Core Ø	1mm (0.039in)
Sensing Distance with DFT and DFP Series	700mm (27.56in)
Fiber Length (L)	2.0m (78.74in) ea. piece
Fiber Bending Radius	25mm (0.98in)
Free Cut	Yes
Head Size	M4
Protection Degree	IEC IP67
Temperature Range	-25° to +70°C (-13° to 158°F)
Fiber Materials	PMMA
Sleeve Materials	Polyethylene
Head Materials	Nickel-plated brass

Includes 2 optical fiber cables

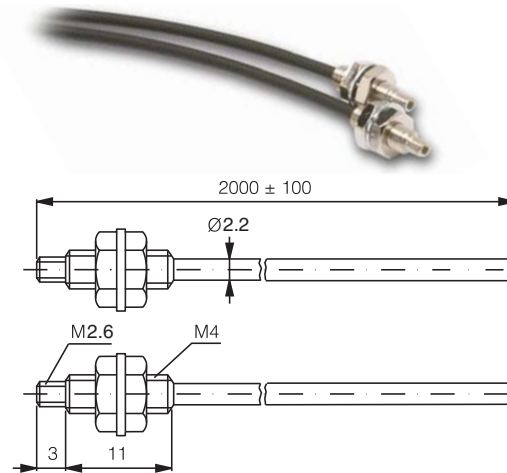


Cuttable Optical Fibers (2.2 mm Diameter)

CF-TB3-20 through-beam

Specifications	
Optical Fiber Core Ø	1.5mm (0.06in)
Sensing Distance with DFT and DFP Series	900mm (35.43in)
Fiber Length (L)	2.0m (78.74in) ea. piece
Fiber Bending Radius	40mm (1.57in)
Free Cut	Yes
Head Size	M4
Protection Degree	IEC IP67
Temperature Range	-25° to +70°C (-13° to 158°F)
Fiber Materials	PMMA
Sleeve Materials	Polyethylene
Head Materials	Nickel-plated brass

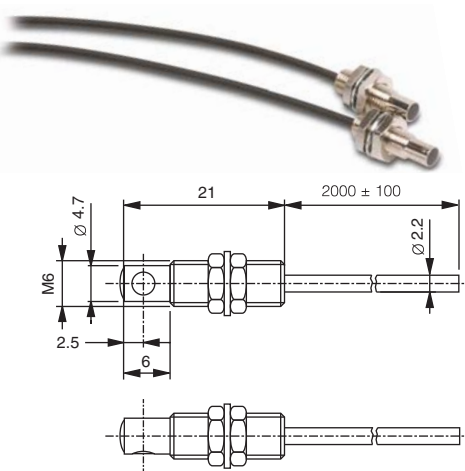
Includes 2 optical fiber cables



CF-TB4-20 90° through-beam

Specifications	
Optical Fiber Core Ø	1.0mm (0.039in)
Sensing Distance with DFT and DFP Series	1800mm (70.87in)
Fiber Length (L)	2.0m (78.74in) ea. piece
Fiber Bending Radius	25mm (0.98in)
Free Cut	Yes
Head Size	M6
Protection Degree	IEC IP67
Temperature Range	-25° to +70°C (-13° to 158°F)
Fiber Materials	PMMA
Sleeve Materials	Polyethylene
Head Materials	Nickel-plated brass

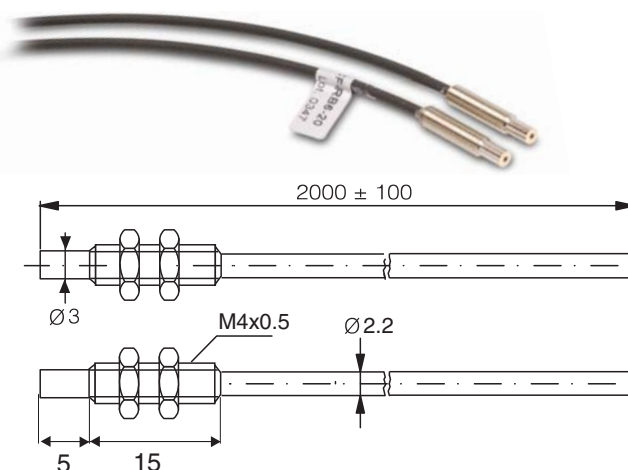
Includes 2 optical fiber cables



CF-RB6-20 through beam

Specifications	
Optical Fiber Core Ø	1.0mm (0.039in)
Sensing Distance with SSF Series	120mm (4.72in)
Fiber Length (L)	2.0m (78.74in) ea. piece
Fiber Bending Radius	25mm (0.98in)
Free Cut	Yes
Head Size	M4
Protection Degree	IEC IP67
Temperature Range	-40° to +70°C (-40° to 158°F)
Fiber Materials	PMMA
Sleeve Materials	Polyethylene
Head Materials	Nickel-plated brass

Includes 2 optical fiber cables



Cutable Optical Fibers (2.2 mm Diameter)

CF-RBA-20 through-beam with lenses

Includes 2 optical fiber cables

Specifications	
Optical Fiber Core Ø	1.0mm (0.039in)
Sensing Distance with SSF series	1200mm (47.24in)
Fiber Length (L)	2.0m (78.74in) ea. piece
Fiber Bending Radius	25mm (0.98in)
Free Cut	Yes
Head Size	M7
Protection Degree	IEC IP67
Temperature Range	-40° to +70°C (-40° to 158°F)
Fiber Materials	PMMA
Sleeve Materials	Polyethylene
Head Materials	Nickel-plated brass

