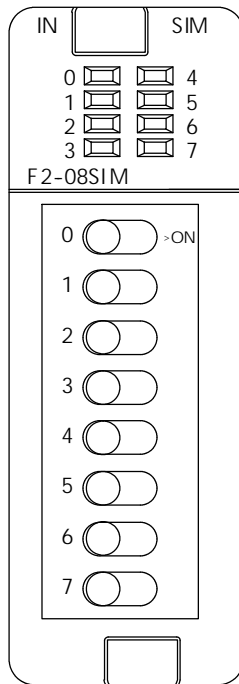


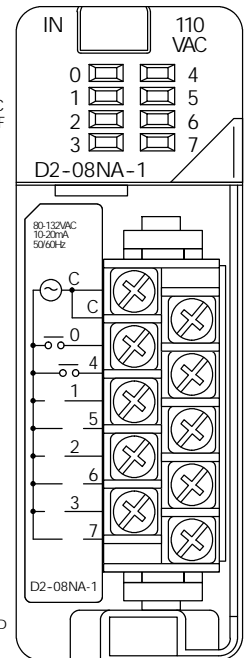
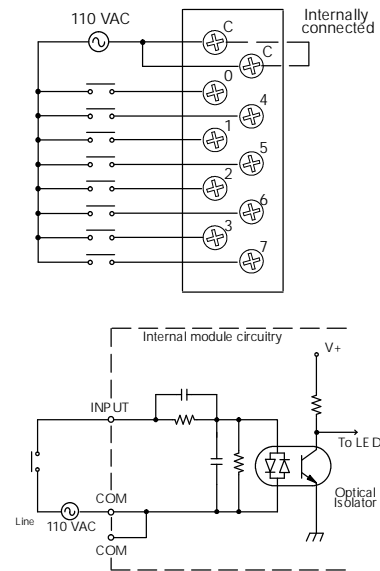
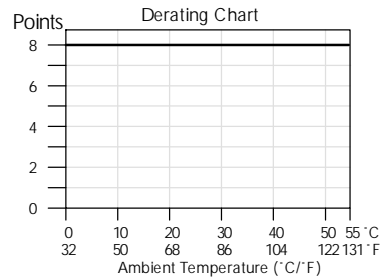
Simulator/AC Input Modules

F2-08SIM Input Simulator	
Inputs per Module	8
Base Power Required 5VDC	50 mA
Terminal Type	None
Status Indicator	Switch side
Weight	2.65 oz. (75 g)



D2-08NA-1 AC Input	
Inputs per Module	8
Commons per Module	1 (2 I/O terminal points)
Input Voltage Range	80-132 VAC
Peak Voltage	132 VAC
ON Voltage Level	75 VAC minimum
OFF Voltage Level	20 VAC maximum
AC Frequency	47-63 Hz
Input Impedance	12 kΩ @ 60 Hz
Input Current	13 mA @ 100 VAC, 60 Hz 11 mA @ 100 VAC, 50 Hz
Minimum ON Current	5 mA
Maximum OFF Current	2 mA
Base Power Required 5VDC	50 mA
OFF to ON Response	5 to 30 ms
ON to OFF Response	10 to 50 ms
Terminal Type (included)	Removable; D2-8IOCON
Status Indicator	Logic side
Weight	2.5 oz. (70 g)

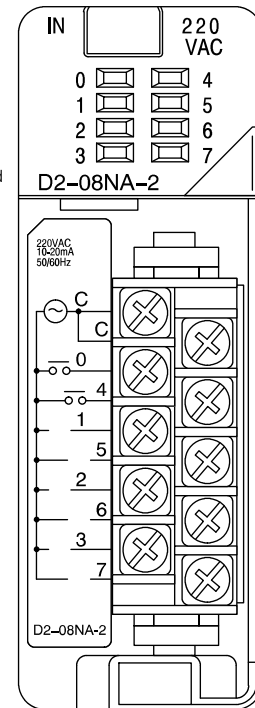
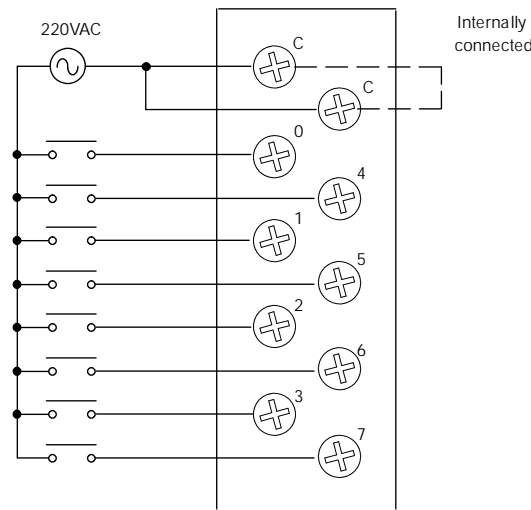
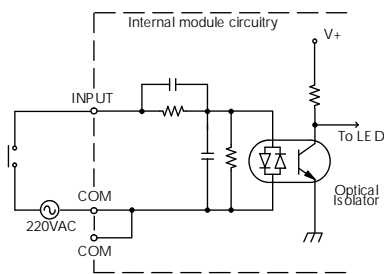
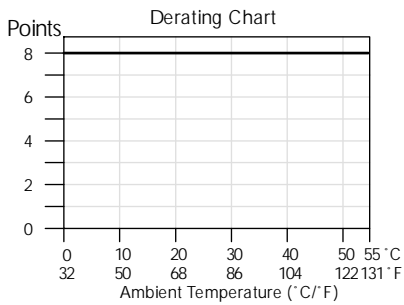
See the Terminal Blocks and Wiring section for part numbers of ZIPLink cables and terminal blocks compatible with this module.



AC Input Modules

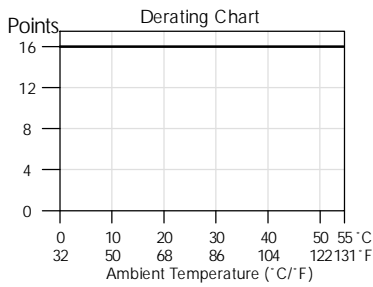
D2-08NA-2 AC Input	
Inputs per Module	8
Commons per Module	1 (2 I/O terminal points)
Input Voltage Range	170-265 VAC
Peak Voltage	265 VAC
ON Voltage Level	150 VAC minimum
OFF Voltage Level	40 VAC maximum
AC Frequency	47-63 Hz
Input Impedance	18 kΩ @ 60 Hz
Input Current	9mA @ 220 VAC, 50 Hz 11 mA @ 265 VAC, 50 Hz 10 mA @ 220 VAC, 60 Hz 12 mA @ 265 VAC, 60 Hz
Minimum ON Current	10 mA
Maximum OFF Current	2 mA
Base Power Required 5VDC	100 mA
OFF to ON Response	5 to 30 ms
ON to OFF Response	10 to 50 ms
Terminal Type (included)	Removable; D2-8IOCON
Status Indicator	Logic side
Weight	2.5 oz. (70 g)

Operating Temperature	32°F to 131°F (0° to 55°C)
Storage Temperature	-4°F to 158°F (-20°C to 70°C)
Humidity	35% to 95% (non-condensing)
Atmosphere	No corrosive gases permitted
Vibration	MIL STD 810C 514.2
Shock	MIL STD 810C 516.2
Insulation Withstand Voltage	1,500 VAC 1 minute (COM-GND)
Insulation Resistance	10M ≈ 500 VDC
Noise Immunity	NEMA 1,500V 1 minute SANKI 1,000V 1 minute
RFI	150 MHz, 430 MHz



AC Input Modules

D2-16NA AC Input	
Inputs per Module	16
Commons per Module	2 (isolated)
Input Voltage Range	80-132 VAC
Peak Voltage	132 VAC
ON Voltage Level	70 VAC minimum
OFF Voltage Level	20 VAC maximum
AC Frequency	47-63 Hz
Input Impedance	12 kΩ @ 60 Hz
Input Current	11 mA @ 100 VAC, 50 Hz 13 mA @ 100 VAC, 60 Hz 15 mA @ 132 VAC, 60 Hz
Minimum ON Current	5mA
Maximum OFF Current	2mA
Base Power Required 5VDC	100 mA
OFF to ON Response	5 to 30 ms
ON to OFF Response	10 to 50 ms
Terminal Type (included)	Removable; D2-16IOCON
Status Indicator	Logic side
Weight	2.4 oz. (68g)



See the Terminal Blocks and Wiring section for part numbers of **ZIPLink** cables and terminal blocks compatible with this module.

