

Thermocouple and RTD Connectors

Overview

- Glass-filled high quality thermoplastic body with original thermocouple material pins and spring-loaded inserts
- Polarized pins
- Molded barriers prevent short circuit
- Captive central cover screw for easy assembly
- Easy wire connection pressure plate construction

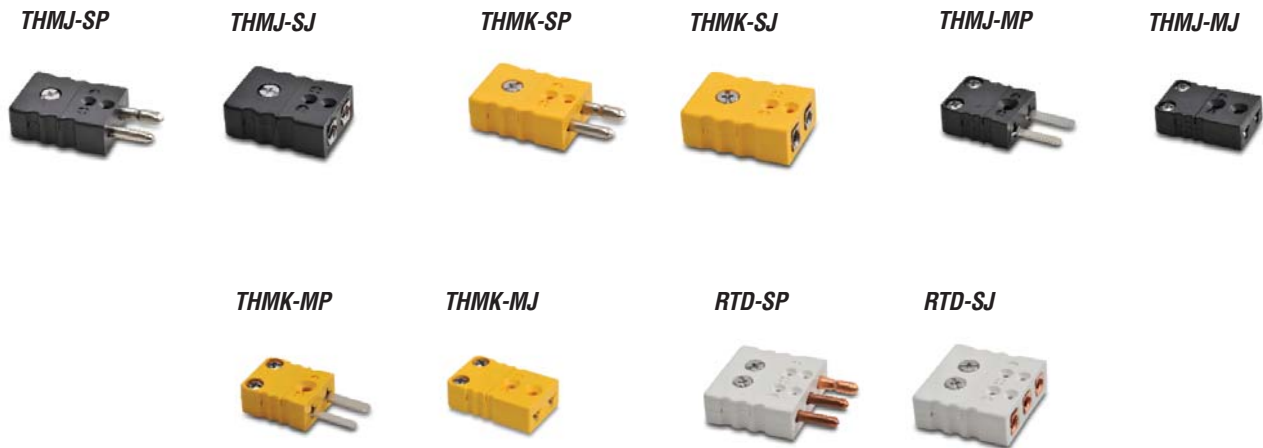
- Stainless steel screws with combination head (Slotted and Phillips)
- 3-Pin standard connectors have a third pin for ground or continuous shield, or for three wire RTDs



Thermocouple and RTD Connectors										
Part Number	Pcs/ Pkg	Wt(lb)	Price	Sensor Type	Connector Type	Temperature Rating	Body Color	Wire Size	Wire Cable Clamp Bracket	
THMJ-SP	1	0.5	<--->	J	Standard round pin plug	Max continuous 400°F (200°C)	Black	32 AWG (0.2 mm) to 14 AWG maximum (2.0 mm)	WCB-S	
THMJ-SJ	1	0.5	<--->		Standard round pin jack					
THMK-SP	1	0.5	<--->	K	Standard round pin plug		Yellow			
THMK-SJ	1	0.5	<--->		Standard round pin jack					
THMJ-MP	1	0.5	<--->	J	Miniature flat pin plug		Black	40 AWG (0.08 mm) to 20 AWG maximum (0.6 mm)	WCB-M	
THMJ-MJ	1	0.5	<--->		Miniature flat pin jack					
THMK-MP	1	0.5	<--->	K	Miniature flat pin plug					Yellow
THMK-MJ	1	0.5	<--->		Miniature flat pin jack					
RTD-SP	1	0.5	<--->	RTD	Standard round pin plug		White	32 AWG (0.2 mm) to 14 AWG maximum (2.0 mm)	WCB-S	
RTD-SJ	1	0.5	<--->		Standard round pin jack					



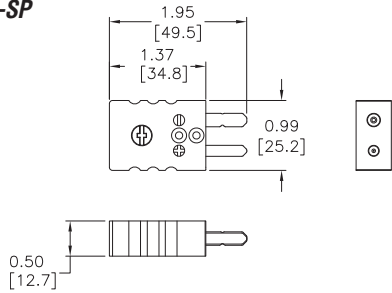
NOTE: CHECK THE CHEMICAL COMPATIBILITY OF THE SENSOR'S WETTED PARTS WITH THE MEDIUM TO BE MEASURED.
www.automationdirect.com/static/specs/prosensechemresistance.pdf



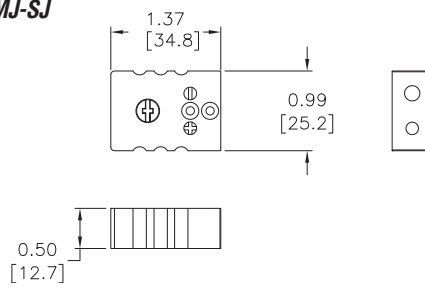
Thermocouple and RTD Connectors

Dimensions

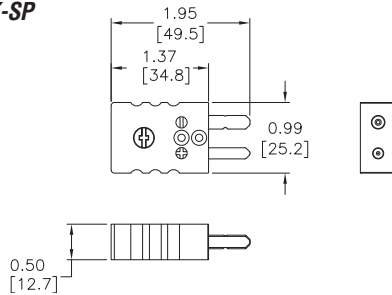
THMJ-SP



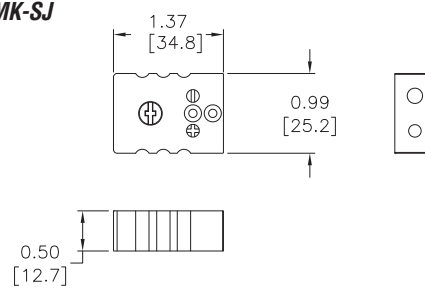
THMJ-SJ



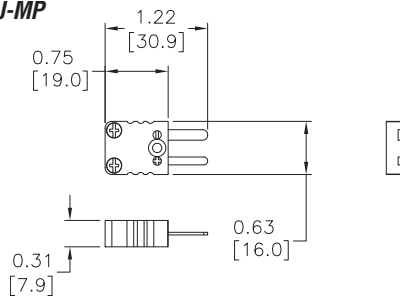
THMK-SP



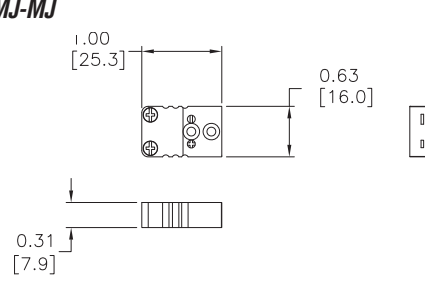
THMK-SJ



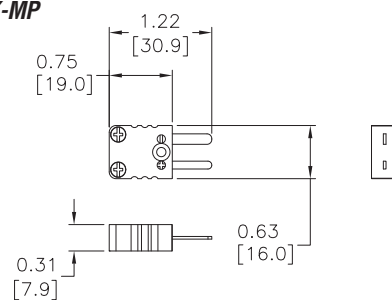
THMJ-MP



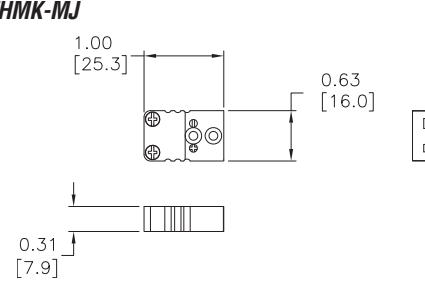
THMJ-MJ



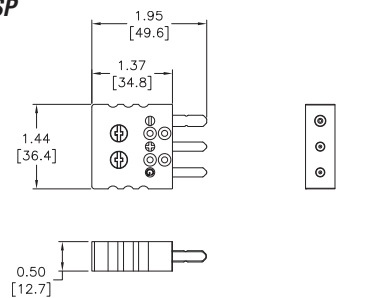
THMK-MP



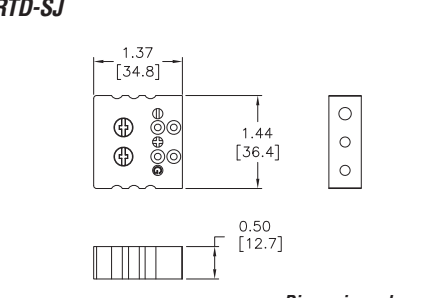
THMK-MJ



RTD-SP



RTD-SJ



Dimensions shown inches [mm]

proSense™ Thermocouple and RTD Connectors

by AUTOMATIONDIRECT

WCB-S



WCB-M



WCB-S Application



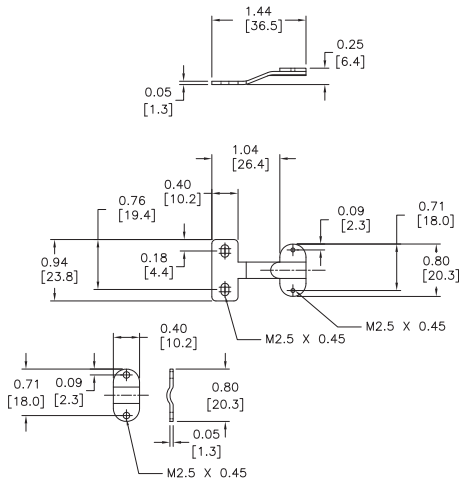
WCB-M Application



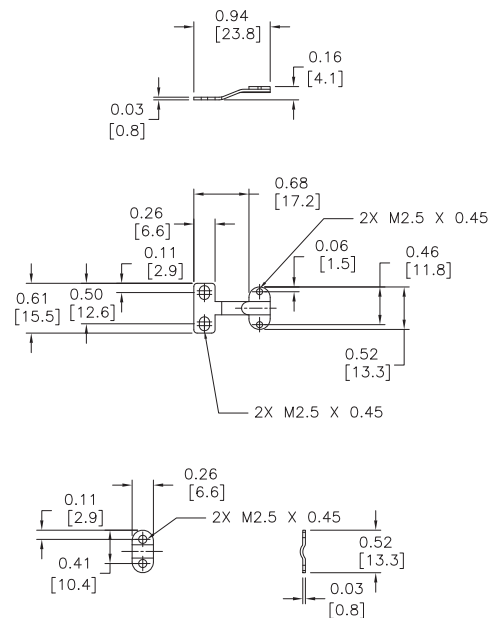
Thermocouple and RTD Connectors Accessories				
Part Number	Pcs/ Pkg	Wt(lb)	Price	Description
WCB-S	4	0.5	<--->	Wire / cable clamp bracket for use with standard thermocouple and RTD connectors.
WCB-M	4	0.5	<--->	Wire / cable clamp bracket for use with miniature thermocouple connectors.

Dimensions

WCB-S



WCB-M



Dimensions shown inches [mm]