

# RHINO PSC Series Power Supplies Specifications



PSC-05-012, PSC-12-015,  
PSC-24-015



PSC-12-030, PSC-24-030



PSC-12-060, PSC-24-060



PSC-24-090

## NEC Class 2 Compliant Supplies

The **RHINO PSC** series power supplies are plastic low-profile housed switching supplies available in 5, 12 and 24 VDC adjustable output models. There are 8 models with power ratings from 12W to 90W. They have an integral DIN rail mounting adapter and feature universal 85 to 264 VAC input voltage, adjustable DC output, DC-OK LED indication, and output current limitation.

The **RHINO PSC** series of switching power supplies provide tightly regulated output voltage for sensitive loads in industrial, commercial and residential environments. The plastic housing is lightweight and low-profile, designed to fit in shallow depth control panels often used in the building automation industry. Screw terminals are provided for simple and speedy wiring terminations.

The **RHINO PSC** series is both UL508 listed for demanding industrial applications and UL1310 recognized for NEC Class 2 compliance in industrial, commercial and residential applications.

## Features

- Low-profile housing - only 2.15 inches (55mm) deep (MCB form factor)
- 5, 12, 24VDC adjustable outputs
- Output power ratings from 12 to 90W
- Integral DIN rail mounting adapter
- Universal input voltage range 85-264VAC
- Tight output voltage regulation
- DC-OK LED indication
- UL508 Listed
- UL1310 Recognized for NEC Class 2 compliance
- CE compliant
- RoHS compliant



Input Specifications						
Part Number	Input Voltage Range	Input Freq. Range	Input Current (Typical) at full load		Efficiency (Typ.)	C-Curve Circuit Breaker or Slow-blow Fuse
			115 VAC	230 VAC		
PSC-05-012	100-240VAC - Nominal  85 to 264VAC - Universal (output power derating 5% / V for operation below 90 VAC)	47-63 Hz	0.25A typ.	0.17A typ.	73%	6.0 A
PSC-12-015			0.29A typ.	0.20A typ.	79%	
PSC-24-015					81%	
PSC-12-030			0.57A typ.	0.39A typ.	81%	
PSC-24-030					83%	
PSC-12-060			1.00A typ.	0.68A typ.	83%	
PSC-24-060			1.10A typ.	0.70A typ.	85%	
PSC-24-090			1.60A typ.	1.07A typ.	86%	

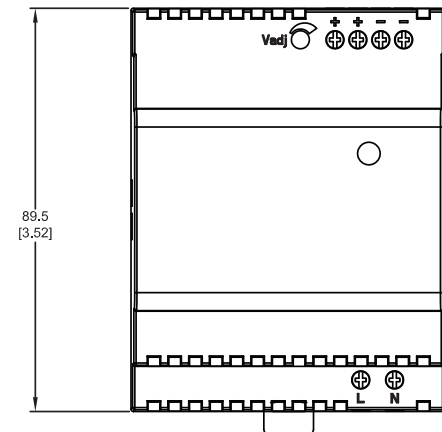
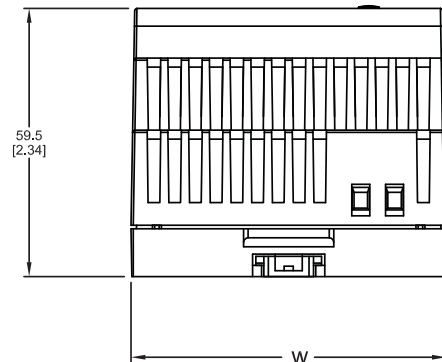
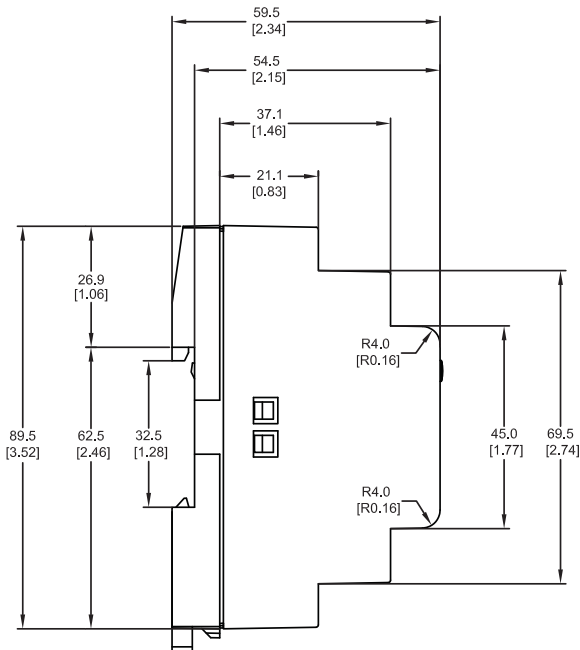
Output Specifications							
Part Number	Output Voltage	Output Volt. Adjust. Range	Output Current (Max.)	Output Power (Max.)	Hold-Up Time		
					115 VAC	230 VAC	
PSC-05-012	5.0VDC	5.0 to 5.2VDC	2.4A	12 Watt	minimum 10 ms	minimum 20 ms	
PSC-12-015	12.0VDC	12.0 to 16.0VDC	1.25A	15 Watt			
PSC-24-015	24.0VDC	24.0 to 28.0VDC	0.63A				
PSC-12-030	12.0VDC	12.0 to 16.0VDC	2.5A	30 Watt			
PSC-24-030	24.0VDC	24.0 to 28.0VDC	1.25A				
PSC-12-060	12.0VDC	12.0 to 16.0VDC	4.5A	54 Watt			
PSC-24-060	24.0VDC	24.0 to 28.0VDC	2.5A	60 Watt			
PSC-24-090	24.0VDC		3.75A	90 Watt			

# RHINO PSC Series Power Supplies Specifications and Dimensions

General Specifications	
<b>Temperature</b>	<b>Operating:</b> -25°C (-13°F) to +60°C (+140°F) max at nominal load, above +60°C (+140°F) 2.5% / °C derating up to +70°C (+185°F) <b>Storage:</b> -25°C (-13°F) to +85°C (+185°F) max
<b>Humidity</b>	95% (non-condensing) relative humidity max.
<b>Output Regulation</b>	1%
<b>Safety Standards</b>	UL508, UL1310, Class 2 IEC/EN 60950-1, UL60950-1, EN50178 EN60204, EN61558-2-8
<b>Output Voltage Ripple</b>	<100 mV peak-to-peak
<b>Output Protection</b>	Current limitation at 100 - 150% typ. (automatic recovery)
<b>Electromagnetic Compatibility (EMC)</b>	Emissions - EN61000-6-3 Conducted RI suppression on input - EN55022 class B Radiated RI suppression - EN55022 class B Immunity - EN61000-6-2 EN61000-4-X
<b>Enclosure Rating</b>	IP 20 (IEC 60529)
<b>Enclosure Material</b>	Plastic FR2010-110C (UL 94V- 0 rated)
<b>Mounting</b>	DIN-rails as per EN50022-35x15/735 (snap-on with self-locking springs)
<b>Connection</b>	Screw terminals with combi-type screw heads for wire size 24 to 12 AWG (0.20 to 3.30mm <sup>2</sup> )
<b>Agency Approvals</b>	UL508 Listed, file #E197592 UL1310 Class 2 Recognized, file #E198298

Dimensions		
Part No.	Width (W) - mm [inches]	Weight oz [g]
PSC-05-012	26.3 [1.04]	3.53 [100]
PSC-12-015	26.3 [1.04]	3.53 [100]
PSC-24-015	26.3 [1.04]	3.53 [100]
PSC-12-030	52.5 [2.07]	5.64 [160]
PSC-24-030	52.5 [2.07]	5.64 [160]
PSC-12-060	70.0 [2.76]	8.11 [230]
PSC-24-060	70.0 [2.76]	8.11 [230]
PSC-24-090	105.0 [4.13]	12.0 [340]

Wiring		
Input/Output	Description	Wire size
<b>AC Input</b>	all models: L, N only (2 pin terminal)	24 -12 AWG / 3.30mm <sup>2</sup> max
<b>DC Output</b>	15 -30 Watt models: single + and - terminals	24 -12 AWG / 3.30mm <sup>2</sup> max
<b>DC Output</b>	60 - 90 Watt models: double + and - terminals	24 -12 AWG / 3.30mm <sup>2</sup> max



TOLERANCE +/- 0.5mm [0.02"]