

Accessories: Adapter, Mounting Brackets

ST12A axial bracket

For mounting M12 (12 mm) sensors. Has two mounting holes (use 3 mm screws) and allows the rotation of an optical axis for right-beam angle adapter sensors. Hexagonal nuts not included.

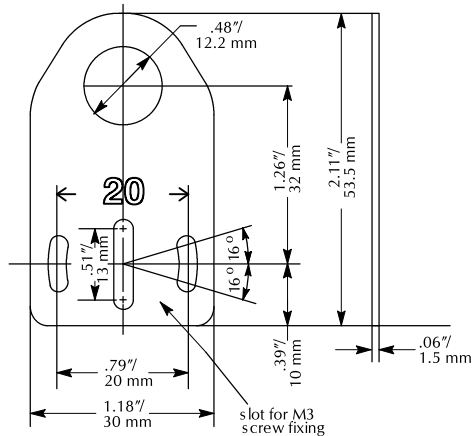


ST12C right-angle bracket

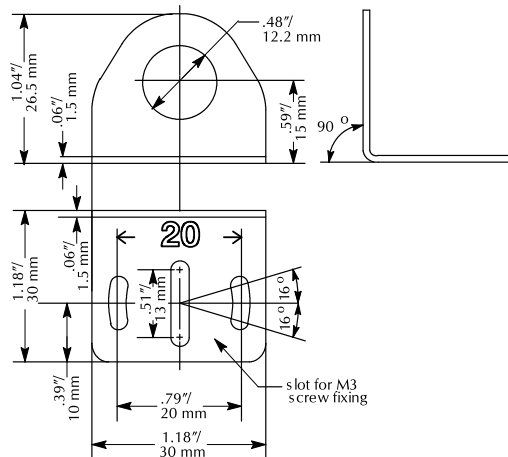
Angular mounting bracket for use with M12 (12 mm) sensors. Has two mounting holes (use 3 mm screws) and allows the rotation of an optical axis for axial sensors. Hexagonal nuts not included.



Brackets		
Part Number	Price	Description
ST12A	<-->	Metal axial bracket for 12 mm sensors, 1/pk
ST12A7W	<-->	316L stainless steel axial bracket for 12 mm sensors, 1/pk



Brackets		
Part Number	Price	Description
ST12C	<-->	Metal right angle bracket for 12 mm sensors, 1/pk
ST12C7W	<-->	316L stainless steel right angle bracket for 12 mm sensors, 1/pk



ST18A axial bracket

Mounting bracket for M18 (18 mm) sensors. Has two mounting holes (use 4 mm screws) and allows the rotation of an optical axis for right-beam-angle-adaptor sensors. Hexagonal nuts not included.

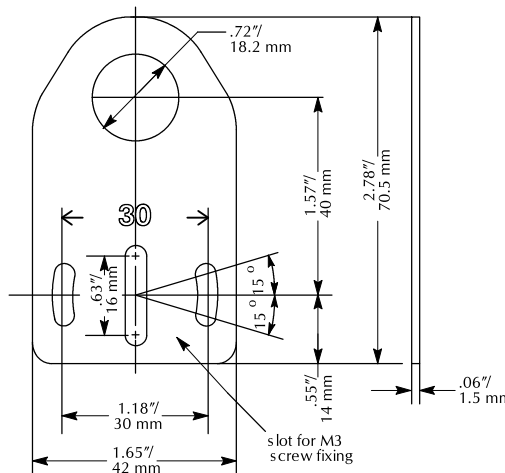


ST18C right-angle bracket

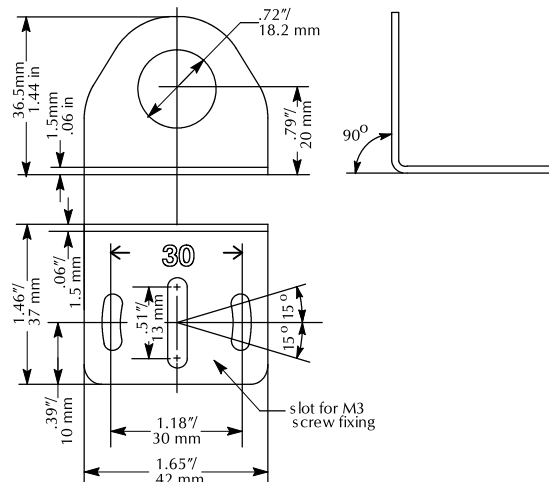
Angular mounting bracket for M18 (18 mm) sensors. Has two mounting holes (use 4 mm screws) and allows the rotation of an optical axis for axial sensors. Hexagonal nuts not included.



Brackets		
Part Number	Price	Description
ST18A	<-->	Metal axial bracket for 18 mm sensors, 1/pk
ST18A7W	<-->	316L stainless steel axial bracket for 18 mm sensors, 1/pk



Brackets		
Part Number	Price	Description
ST18C	<-->	Metal right angle bracket for 18 mm sensors, 1/pk
ST18C7W	<-->	316L stainless steel right angle bracket for 18 mm sensors, 1/pk



Accessories: Mounting Brackets

ST30A axial bracket

Mounting M30 (30 mm) sensors. Has two mounting holes (use 5 mm screws) and allows the rotation of an optical axis for right-beam-angle-adapter sensors. Hexagonal nuts not included.



ST30C right-angle bracket

Angular mounting bracket for M30 (30 mm) sensors. Has two mounting holes (use 5 mm screws) and allows the rotation of an optical axis for axial sensors. Hexagonal nuts not included.



Brackets		
Part Number	Price	Description
ST30A	<--->	Metal axial bracket for 30 mm sensors, 1/pk

Brackets		
Part Number	Price	Description
ST30C	<--->	Metal right angle bracket for 30 mm sensors, 1/pk

