

proSense™ 8-pin Octal Socket

by AUTOMATIONDIRECT



70169-D



750-2C-SKT

Features

- 600V (Plug-in 3-phase monitor relays require a 600V-rated socket when used with system voltages greater than 300V)
- Mounts on 35mm DINrail
- Screw pressure wire clamp termination

Agency Approvals

- cURus, File number E191059, E225080
- CE
- RoHS

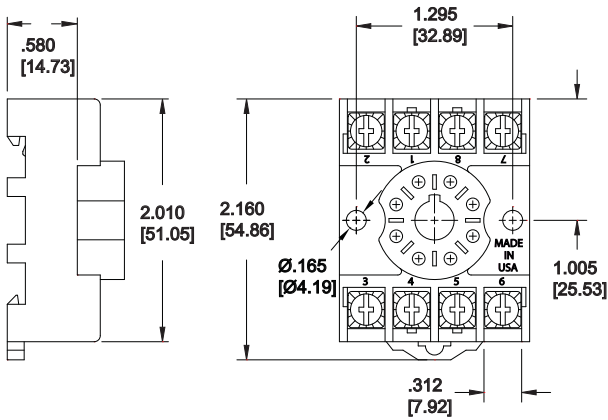


ProSense Series Temperature Sensors					
Part Number	Description	Pcs/Pkg	Wt (lb)	Price	
70169-D	Relay socket, works with all phase monitor relays, 10A at 600 V rated, 8-pin octal configuration. Can be mounted on 35mm DIN rail or directly mounted to the panel.	1	0.1	<--->	
750-2C-SKT	Relay socket, works with all phase monitor relays, 5A at 600 V rated, 8-pin octal configuration. Can be mounted on 35mm DIN rail or directly mounted to the panel.	1	0.1	<--->	

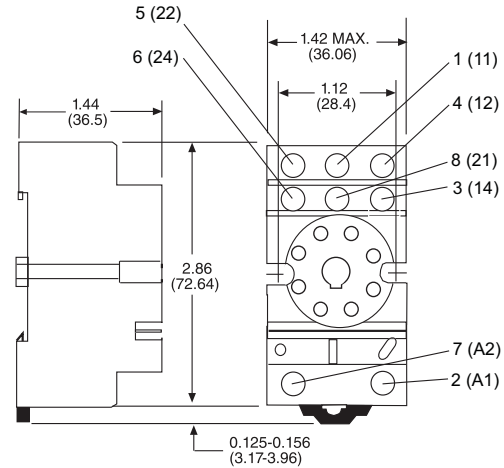
Technical Specifications						
Part Number	Voltage	Current	Screw Size	Screw wire size (capacity)	Screw wire torque	Screw chassis mounting torque
70169-D	600V	10A	6-32	1 or 2 #12-#22 AWB	6-7 Lb-in (12 Lb-in max)	7 Lb-in
750-2C-SKT	600V	5A	M3.5	(1) #12/ (2) #14 AWG	9 Lb-in	7Lb-in

Dimensions

70169-D



750-2C-SKT

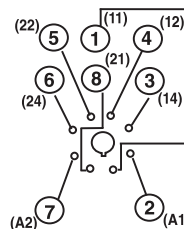


Socket Pinouts

70169-D



750-2C-SKT



All Dimensions in Inches (Millimeters)