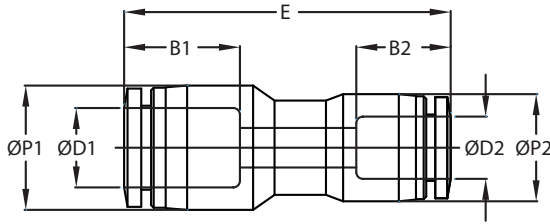




Inch Fitting

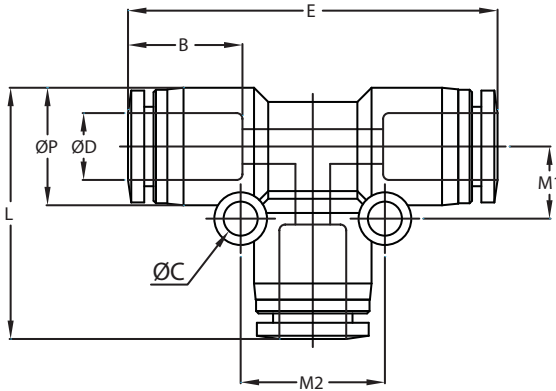


Metric Fitting



NITRA pneumatic push-to-connect union reducer fitting with thermoplastic (PBT) body and stainless steel tube gripping claws. For use with polyurethane or nylon tubing. Five fittings per package.

NITRA™ Union Reducer												
Inch Sizes - dimensions in inches (in.)												
Part No.	Price	Size	ØD1	ØD2	ØP1	ØP2	E	B1	B2	Orifice	Package Weight (lbs)	Qty. per pack
UR14-532	<--->	1/4 in. x 5/32 in.	1/4	5/32	0.51	0.41	1.40	0.66	0.59	0.13	0.1	5
UR38-14	<--->	3/8 in. x 1/4 in.	3/8	1/4	0.69	0.51	1.56	0.79	0.66	0.20	0.2	5
UR12-38	<--->	1/2 in. x 3/8 in.	1/2	3/8	0.83	0.69	1.78	0.90	0.79	0.31	0.4	5
Metric Sizes - dimensions in millimeters (mm)												
UR6M-4M	<--->	6 mm x 4 mm	6.0	4.0	12.5	10.5	35.2	16.4	14.9	3.0	0.1	5
UR8M-6M	<--->	8 mm x 6 mm	8.0	6.0	14.5	12.5	38.1	18.7	16.4	4.0	0.2	5
UR10M-8M	<--->	10 mm x 8 mm	10.0	8.0	17.5	14.5	40.3	20.1	18.7	6.5	0.3	5
UR12M-10M	<--->	12 mm x 10 mm	12.0	10.0	20.5	17.5	43.8	22.8	20.1	8.0	0.3	5



NITRA pneumatic push-to-connect union tee fitting with thermoplastic (PBT) body and stainless steel tube gripping claws. For use with polyurethane or nylon tubing. Five fittings per package.



Inch Fitting



Metric Fitting

NITRA™ Union Tee													
Inch Sizes - dimensions in inches (in.)													
Part No.	Price	Size	ØD	ØP	L	E	ØC	B	M1	M2	Orifice	Package Weight (lbs)	Qty. per pack
UT532	<--->	5/32 in. [4 mm]	5/32	0.41	0.94	1.43	0.13	0.59	0.25	0.50	0.12	0.1	5
UT14	<--->	1/4 in.	1/4	0.51	1.09	1.68	0.14	0.66	0.32	0.65	0.19	0.2	5
UT38	<--->	3/8 in.	3/8	0.69	1.35	2.02	0.18	0.79	0.43	0.87	0.31	0.4	5
UT12	<--->	1/2 in.	1/2	0.83	1.60	2.38	0.18	0.90	0.50	1.00	0.35	0.4	5
Metric Sizes - dimensions in millimeters (mm)													
UT6M	<--->	6 mm	6	12.5	27.3	41.5	3.3	16.4	7.7	15.4	5.0	0.2	5
UT8M	<--->	8 mm	8	14.5	31.0	45.6	4.3	18.7	8.9	17.8	6.5	0.2	5
UT10M	<--->	10 mm	10	17.5	34.1	48.4	4.3	20.1	9.8	19.7	8.0	0.4	5
UT12M	<--->	12 mm	12	20.5	40.1	57.3	4.3	22.8	13.2	26.3	10.0	0.4	5