

NITRA pneumatic push-to-connect union cross fitting with thermoplastic (PBT) body and stainless steel tube gripping claws. For use with polyurethane or nylon tubing. Five fittings per package.

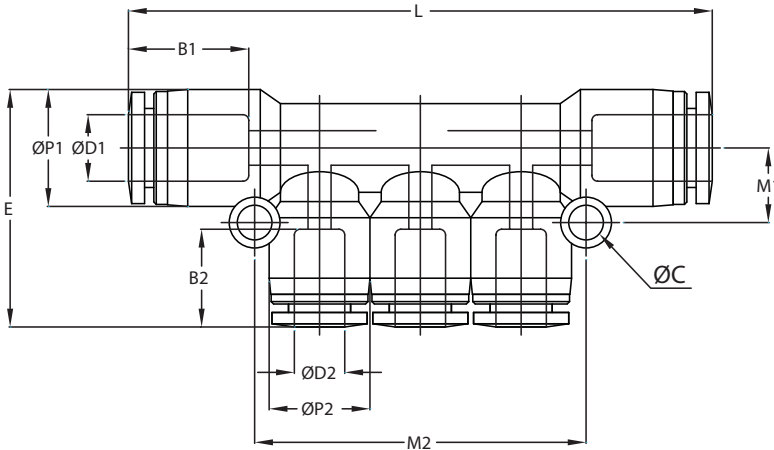


Inch Fitting



Metric Fitting

NITRA™ Union Cross													
Inch Sizes - dimensions in inches (in.)													
Part No.	Price	Size	ØD	ØP	L	E	ØC	B	M1	M2	Orifice	Package Weight (lbs)	Qty. per pack
UX532	<--->	5/32 in. [4 mm]	5/32	0.41	0.91	1.41	0.31	0.59	0.25	0.50	0.10	0.3	5
UX14	<--->	1/4 in.	1/4	0.51	1.09	1.68	0.13	0.66	0.32	0.64	0.20	0.3	5
UX38	<--->	3/8 in.	3/8	0.69	1.30	1.90	0.17	0.79	0.40	0.80	0.28	0.6	5
UX12	<--->	1/2 in.	1/2	0.83	1.60	2.38	0.17	0.90	0.50	1.00	0.35	0.6	5
Metric Sizes - dimensions in millimeters (mm)													
UX6M	<--->	6 mm	6	12.5	27.0	41.5	3.3	16.4	7.4	14.9	4.5	0.4	5
UX8M	<--->	8 mm	8	14.5	30.0	45.6	4.2	18.7	9.1	18.2	6.0	0.4	5
UX10M	<--->	10 mm	10	17.5	32.9	48.4	4.3	20.1	10.1	20.3	7.4	0.6	5
UX12M	<--->	12 mm	12	20.5	37.9	55.3	4.3	22.8	11.8	23.7	9.0	0.6	5



NITRA pneumatic push-to-connect union tri-branch fitting with thermoplastic (PBT) body and stainless steel tube gripping claws. For use with polyurethane or nylon tubing. Five fittings per package.



Inch Fitting



Metric Fitting

NITRA™ Union Tri-Branch																
Inch Sizes - dimensions in inches (in.)																
Part No.	Price	Size	ØD1	ØD2	ØP1	ØP2	L	E	ØC	B1	B2	M1	M2	Orifice	Package Weight (lbs)	Qty. per pack
U3B14-532	<--->	1/4 in. x 5/32 in.	1/4	5/32	0.51	0.41	2.43	1.06	0.18	0.66	0.59	0.34	1.42	0.13	0.4	5
U3B38-14	<--->	3/8 in. x 1/4 in.	3/8	1/4	0.69	0.51	2.91	1.26	0.18	0.79	0.66	0.43	1.71	0.20	0.6	5
Metric Sizes - dimensions in millimeters (mm)																
U3B6M-4M	<--->	6 mm x 4 mm	6	4	12.5	10.5	63.2	25.9	3.3	16.4	14.9	7.5	34.0	3.0	0.4	5
U3B8M-6M	<--->	8 mm x 6 mm	8	6	14.5	12.5	72.4	29.4	4.3	18.7	16.4	9.2	41.1	4.0	0.6	5
ww	<--->	10 mm x 8 mm	10	8	17.5	14.5	83.6	34.8	4.3	20.1	18.7	9.5	47.0	6.5	0.7	5