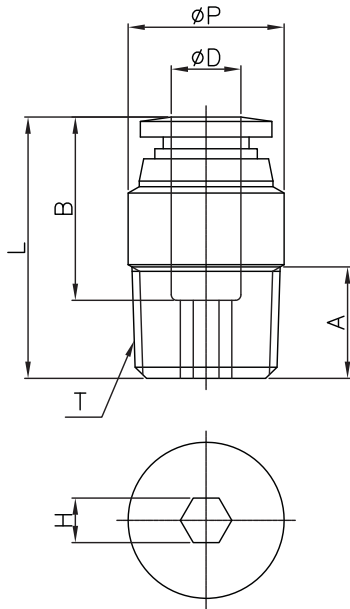


Pneumatic Push-to-Connect Fittings



NITRA pneumatic push-to-connect round male straight fitting with nickel-plated brass body, internal hex, stainless steel tube gripping claws and pre-applied Teflon thread sealant (O-ring on #10-32 and M5 threads). For use with polyurethane or nylon tubing. Five fittings per package.



Inch Fitting



Metric Fitting

NITRA™ Round Male Straight												
Inch Sizes - dimensions in inches (in.)												
Part No.	Price	Size	ϕD	ϕP	T	L	A	B	H (Hex)	Orifice	Package Weight (lbs)	Qty. per pack
MSR532-10N	<--->	5/32 in. x #10-32	5/32	0.43	UNF 10-32	0.84	0.16	0.58	3/32	0.09	0.1	5
MSR532-18N	<--->	5/32 in. x 1/8 NPT	5/32	0.43	NPT 1/8	0.82	0.33	0.58	1/8	0.13	0.1	5
MSR14-10N	<--->	1/4 in. x #10-32	1/4	0.51	UNF 10-32	0.95	0.16	0.67	3/32	0.09	0.1	5
MSR14-18N	<--->	1/4in. x 1/8 NPT	1/4	0.51	NPT 1/8	0.93	0.33	0.67	3/16	0.19	0.1	5
MSR14-14N	<--->	1/4 in. x 1/4 NPT	1/4	0.55	NPT 1/4	0.94	0.41	0.67	3/16	0.19	0.1	5
Metric Sizes - dimensions in millimeters (mm)												
MSR4M-M5	<--->	4 mm x M5	4	10.0	M5*0.8p	20.8	4.6	14.7	2	2.0	0.1	5
MSR4M-18R	<--->	4 mm x R1/8	4	10.0	R 1/8	20.7	8.0	14.7	3	3.0	0.1	5
MSR6M-M5	<--->	6 mm x M5	6	12.0	M5*0.8p	23.1	4.6	16.4	2	2.0	0.1	5
MSR6M-18R	<--->	6 mm x R1/8	6	12.0	R 1/8	22.7	8.0	16.4	4	4.0	0.1	5
MSR6M-14R	<--->	6 mm x R1/4	6	14.0	R 1/4	23.4	10.0	16.4	4	4.0	0.2	5