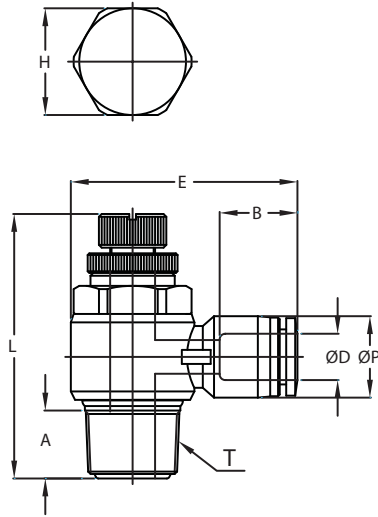




Pneumatic Push-to-Connect Flow Control (Speed Controller) Valves



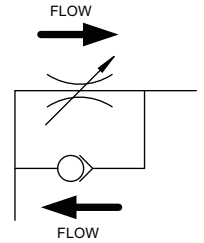
NITRA pneumatic push-to-connect meter-out flow control valve (speed controller) elbow with rotating thermoplastic (PBT) body, nickel-plated brass threads, stainless steel tube gripping claws, and pre-applied Teflon thread sealant (10-32 and M5 threads have O-ring instead of thread sealant). For use with polyurethane or nylon tubing. Two fittings per package.



Inch Fitting



Metric Fitting



NITRA™ Elbow Flow Control Valve Meter-Out													
Inch Sizes - dimensions in inches (in.)													
Part No.	Price	Size	øD	øP	T	L		E	A	B	H (Hex)	Package Weight (lbs)	Qty. per pack
						Min.	Max.						
FVS532-10N	<-->	5/32 in. x #10-32	5/32	0.41	UNF 10-32	1.06	1.15	1.04	0.14	0.59	5/16	0.1	2
FVS532-18N	<-->	5/32 in. x 1/8 NPT	5/32	0.41	NPT 1/8	1.37	1.57	1.21	0.32	0.59	7/16	0.1	2
FVS14-10N	<-->	1/4 in. x #10-32	1/4	0.51	UNF 10-32	1.06	1.15	1.13	0.14	0.66	5/16	0.1	2
FVS14-18N	<-->	1/4 in. x 1/8 NPT	1/4	0.51	NPT 1/8	1.37	1.57	1.26	0.32	0.66	7/16	0.2	2
FVS14-14N	<-->	1/4 in. x 1/4 NPT	1/4	0.51	NPT 1/4	1.60	1.85	1.41	0.43	0.66	19/32	0.2	2
FVS38-14N	<-->	3/8 in. x 1/4 NPT	3/8	0.69	NPT 1/4	1.60	1.85	1.57	0.43	0.79	19/32	0.2	2
Metric Sizes - dimensions in millimeters (mm)													
FVS4M-M5	<-->	4 mm x M5	4	10.5	M5*0.8p	27.1	29.1	25.4	3.6	14.9	8	0.2	2
FVS4M-18R	<-->	4 mm x R1/8	4	10.5	R 1/8	35.5	40.7	30.5	8.2	14.9	11	0.2	2
FVS6M-M5	<-->	6 mm x M5	6	12.5	M5*0.8p	27.1	29.1	27.8	3.6	16.4	8	0.2	2
FVS6M-18R	<-->	6 mm x R1/8	6	12.5	R 1/8	35.5	40.7	31.3	8.2	16.4	11	0.2	2
FVS6M-14R	<-->	6 mm x R1/4	6	12.5	R 1/4	40.3	46.6	35.3	11.0	16.4	15	0.2	2
FVS8M-14R	<-->	8 mm x R1/4	8	14.5	R 1/4	40.3	46.6	37.4	11.0	18.7	15	0.3	2
FVS8M-38R	<-->	8 mm x R3/8	8	14.5	R 3/8	46.9	54.9	40.4	12.2	18.7	19	0.3	2
FVS10M-14R	<-->	10 mm x R1/4	10	17.5	R 1/4	40.3	46.6	38.8	11.0	20.1	15	0.4	2
FVS10M-38R	<-->	10 mm x R3/8	10	17.5	R 3/8	46.9	54.9	42.1	12.2	20.1	19	0.4	2