

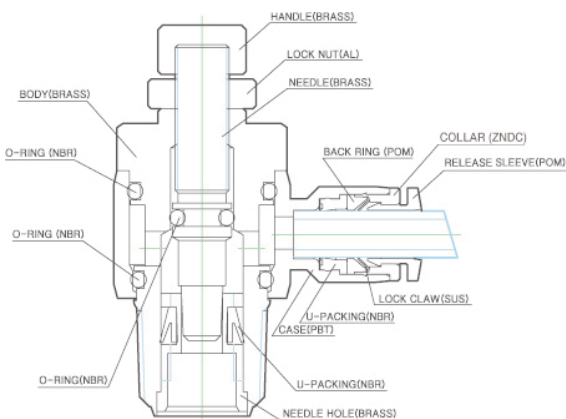
Pneumatic Push-to-Connect Flow Control (Speed Controller) Valves

NITRA Pneumatic Push-to-Connect Flow Control (Speed Controller) Valves provide accurate airflow regulation for precise motion control of pneumatic cylinders. NITRA flow control valve bodies are made of a strong thermoplastic (PBT) and have stainless steel tube gripping claws. Threaded components are made of nickel-plated brass and have pre-applied Teflon thread sealant (O-ring on #10-32 and M5 threads). Flow control valve bodies can be rotated after installation to allow for variations in piping direction. NITRA Polyurethane and Nylon 12 tubing is easily connected by simply inserting the tubing end into the fitting. To release the tubing, press the circular release ring and the tubing can be easily pulled out.

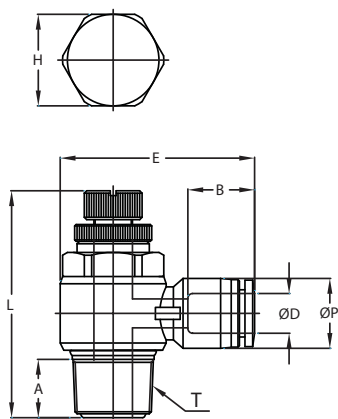
Features

- Meter-in , meter-out and in-line configurations
- Inch and metric sizes available
- NPT and BSPT (R) threads available
- Tough thermoplastic bodies, stainless steel tube gripping claws, nickel-plated threads with pre-applied Teflon sealant (O-ring on #10-32 and M5 threads)
- Bodies can be rotated after installation
- Release rings are color coded to differentiate between meter-in and meter-out
- For use with air only.
- Working pressure: -29.5" Hg to 150 psi.
- Working Temperature 32 to 140°F (0 to 60°C)

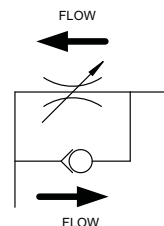
NITRA pneumatic push-to-connect meter-in flow control valve (speed controller) elbow with rotating thermoplastic (PBT) body, nickel-plated brass threads, stainless steel tube gripping claws, and pre-applied Teflon thread sealant (10-32 and M5 threads have O-ring instead of thread sealant). For use with polyurethane or nylon tubing. Two fittings per package.



Flow Control Valve Cut-away Diagram



Inch/Metric Flow Control Valve



NITRA™ Elbow Flow Control Valve Meter-In													
Inch Sizes - dimensions in inches (in.)													
Part No.	Price	Size	øD	øP	T	L		E	A	B	H (Hex)	Package Weight (lbs)	Qty. per pack
						Min.	Max.						
FVR532-10N	<-->	5/32 in. x #10-32	5/32	0.41	UNF 10-32	1.06	1.15	1.04	0.14	0.59	5/16	0.1	2
FVR532-18N	<-->	5/32 in. x 1/8 NPT	5/32	0.41	NPT 1/8	1.37	1.57	1.21	0.32	0.59	7/16	0.1	2
FVR14-10N	<-->	1/4 in. x #10-32	1/4	0.51	UNF 10-32	1.06	1.15	1.13	0.14	0.66	5/16	0.1	2
FVR14-18N	<-->	1/4 in. x 1/8 NPT	1/4	0.51	NPT 1/8	1.37	1.57	1.26	0.32	0.66	7/16	0.1	2
FVR14-14N	<-->	1/4 in. x 1/4 NPT	1/4	0.51	NPT 1/4	1.60	1.85	1.41	0.43	0.66	19/32	0.2	2
FVR38-14N	<-->	3/8 in. x 1/4 NPT	3/8	0.69	NPT 1/4	1.60	1.85	1.57	0.43	0.79	19/32	0.2	2
Metric Sizes - dimensions in millimeters (mm)													
FVR4M-M5	<-->	4 mm x M5	4	10.5	M5*0.8p	27.1	29.1	25.4	3.6	14.9	8	0.1	2
FVR4M-18R	<-->	4 mm x R1/8	4	10.5	R 1/8	35.5	40.7	30.5	8.2	14.9	11	0.1	2
FVR6M-M5	<-->	6 mm x M5	6	12.5	M5*0.8p	27.1	29.1	27.8	3.6	16.4	8	0.1	2
FVR6M-18R	<-->	6 mm x R1/8	6	12.5	R 1/8	35.5	40.7	31.3	8.2	16.4	11	0.1	2
FVR6M-14R	<-->	6 mm x R1/4	6	12.5	R 1/4	40.3	46.6	35.3	11.0	16.4	15	0.2	2
FVR8M-14R	<-->	8 mm x R1/4	8	14.5	R 1/4	40.3	46.6	37.4	11.0	18.7	15	0.2	2
FVR8M-38R	<-->	8 mm x R3/8	8	14.5	R 3/8	46.9	54.9	40.4	12.2	18.7	19	0.1	2
FVR10M-14R	<-->	10 mm x R1/4	10	17.5	R 1/4	40.3	46.6	38.8	11.0	20.1	15	0.1	2
FVR10M-38R	<-->	10 mm x R3/8	10	17.5	R 3/8	46.9	54.9	42.1	12.2	20.1	19	0.1	2