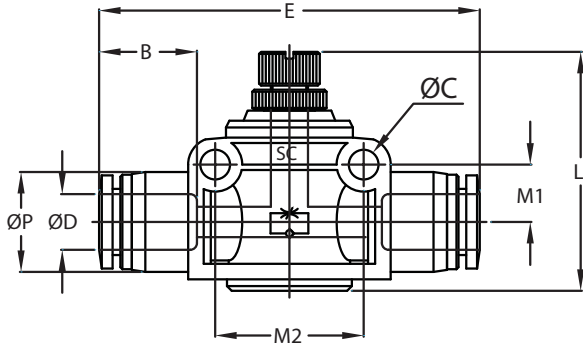


Pneumatic Push-to-Connect Flow Control (Speed Controller) Valves

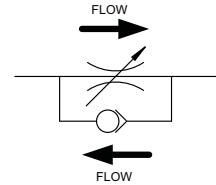
NITRA pneumatic push-to-connect in-line flow control valve (speed controller) elbow with thermoplastic (PBT) body, nickel-plated brass control knob and stainless steel tube gripping claws. For use with polyurethane or nylon tubing. Two fittings per package.



Inch Fitting



Metric Fitting



NITRA™ In-Line

Inch Sizes - dimensions in inches (in.)

Part No.	Price	Size	øD	øP	L		E	øC	B	M1	M2	Package Weight (lbs)	Qty. per pack
					Min.	Max.							
FVU532	<--->	5/32 [4 mm] in. x 5/32 [4 mm]	5/32	0.41	1.04	1.14	1.76	0.13	0.59	0.22	0.61	0.1	2
FVU14	<--->	1/4 in. x 1/4	1/4	0.52	1.32	1.53	1.97	0.17	0.66	0.31	0.80	0.1	2
FVU38	<--->	3/8 in. x 3/8	3/8	0.69	1.60	1.91	2.42	0.17	0.79	0.41	1.11	0.3	2
FVU12	<--->	1/2 in. x 1/2	1/2	0.81	1.79	2.10	2.78	0.17	0.90	0.48	1.26	0.5	2
Metric Sizes - dimensions in millimeters (mm)													
FVU6M	<--->	6 mm x 6 mm	6	12.5	33.5	37.9	49.6	4.3	16.4	8.0	20.4	0.1	2
FVU8M	<--->	8 mm x 8 mm	8	14.8	35.5	41.5	56.4	4.4	18.7	8.5	22.0	0.1	2
FVU10M	<--->	10 mm x 10 mm	10	17.5	40.7	48.7	61.4	4.3	20.1	10.3	28.1	0.3	2
FVU12M	<--->	12 mm x 12 mm	12	20.5	45.0	53.5	70.3	4.4	22.8	12.1	32.0	0.5	2