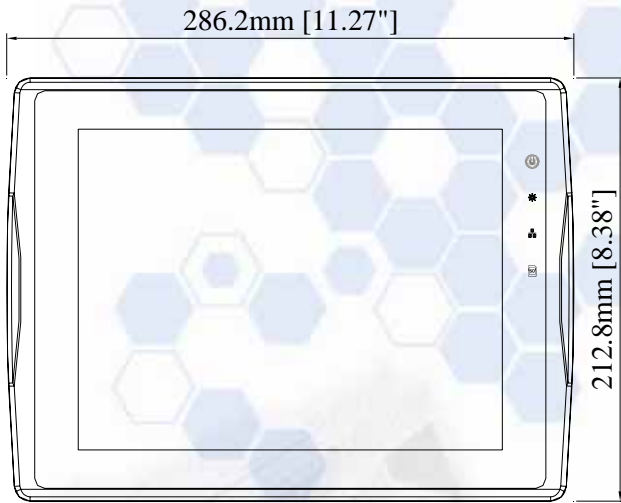
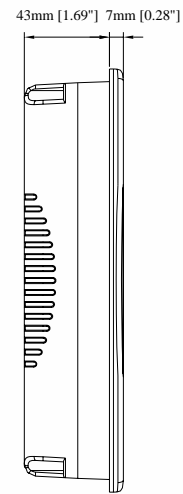


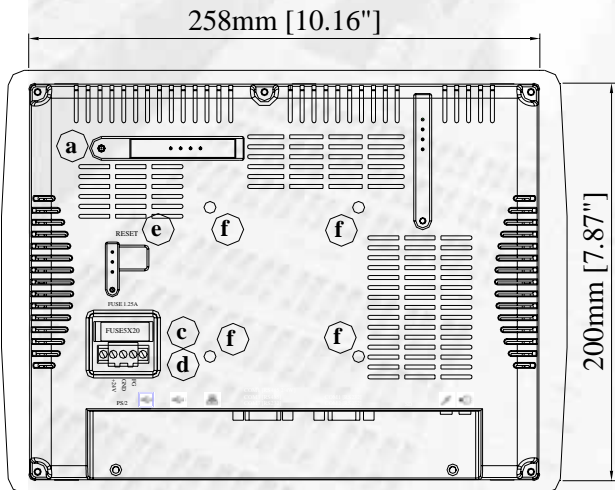
Dimensions of MT8104XH



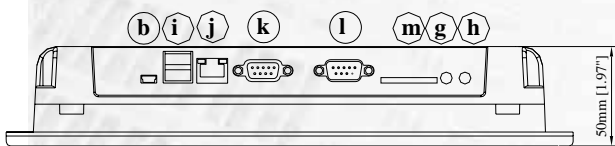
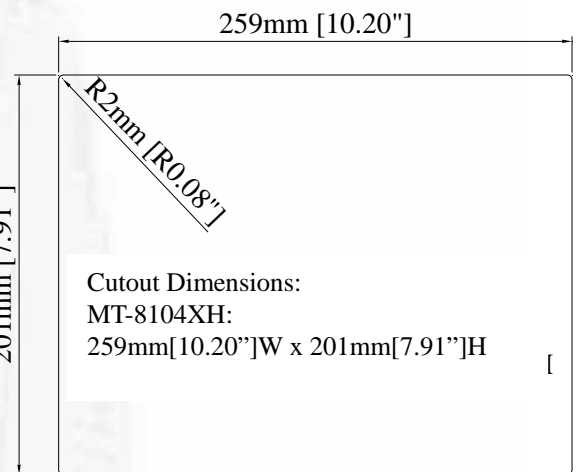
Front View



Side View



Rear View



Bottom View

A	N/A IDE Interface (DOM Slot)	H	Line Out
B	Option	I	USB Host Port x 2
C	Fuse	J	Ethernet Port 10/100 Base-T
D	Power Connector	K	Com1 RS485, Com3 RS485, Com3 RS232
E	Reset Button	L	Com1 RS232, Com2 RS232
F	VESA 75mm Screw Holes	M	SD CARD SLOT
G	Mic In		