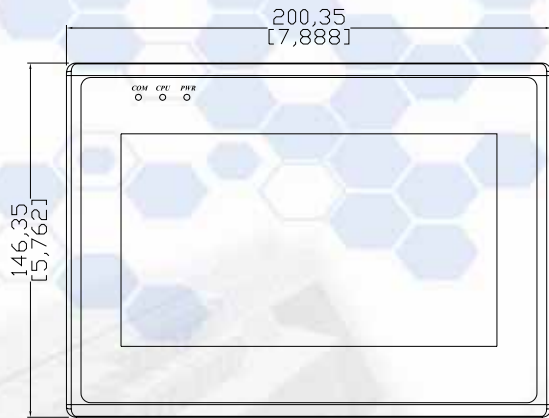
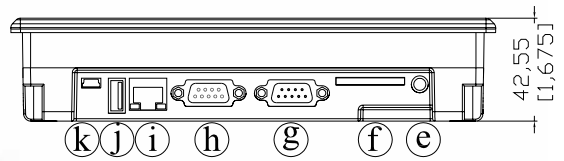


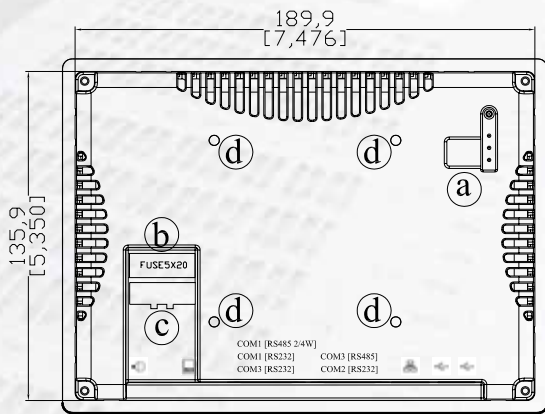
Dimensions Drawing



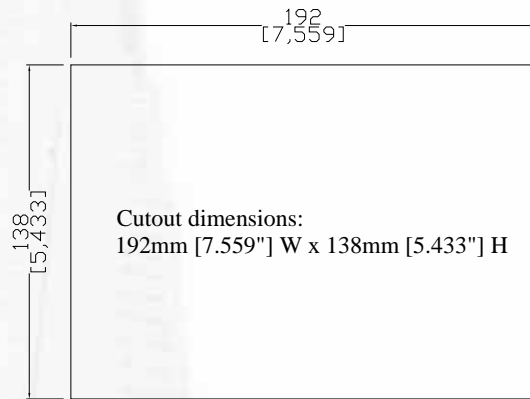
Front View



Bottom View



Rear View



a	DIP SW & Reset button	e	N/A
b	Fuse	f	SD card slot
c	Power connector	g	Com1[232], Com2[232]
d	VESA 75mm screw holes	h	Com1 RS485, Com3 RS485, Com3 RS232
		i	Ethernet port (RJ-45)
		j	USB Host port
		k	USB Device port

Ordering Information

MT-8070iH:

7" 800x480 TFT LCD HMI, 128MB flash memory/64MB DDR2 RAM on board.

USBCBL-2:

MT6000/8000 i series download cable / Mini USB to USB 2.0 100 cm