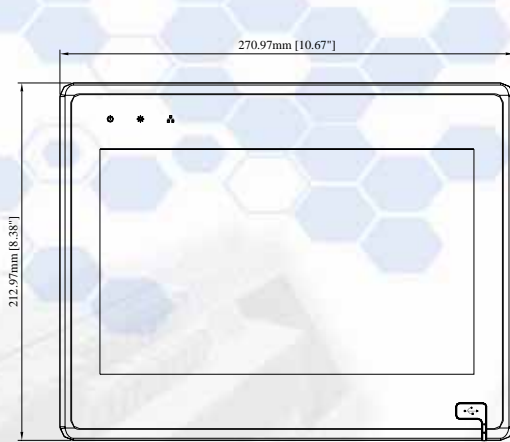
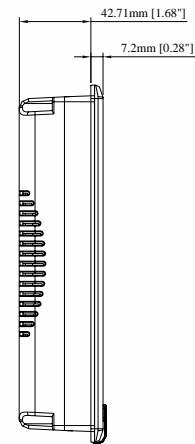


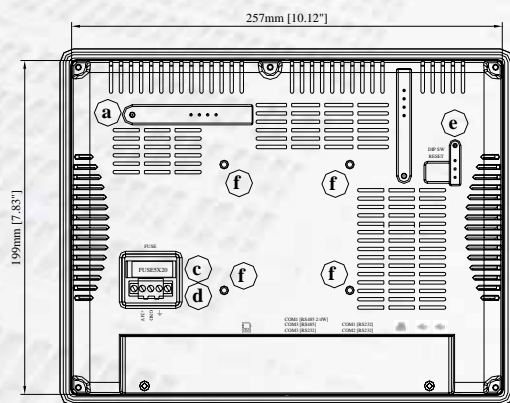
## Dimensions Drawing



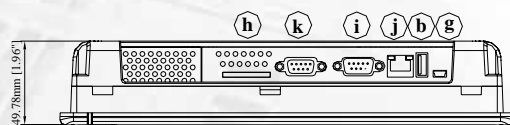
Front View



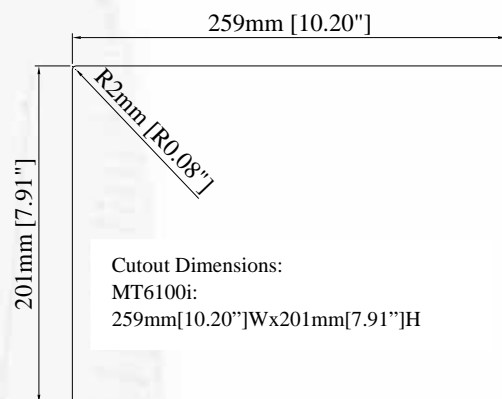
Side View



Rear View



Bottom View



a	N/A	f	VESA 75mm screw holes
b	USB Host port	g	USB Device port
c	Fuse	h	SD card slot
d	Power connector	i	Com1[232], Com2[232]
e	DIP SW & Reset button	j	N/A
		k	Com1 RS485, Com3 RS485, Com3 RS232

## Ordering Information

### MT-6100i:

10" 800x480 TFT LCD HMI, 128MB flash memory/64MB DDR2 RAM on board.

### USBCBL-2:

MT6000/8000 i series download cable / Mini USB to USB 2.0 100 cm