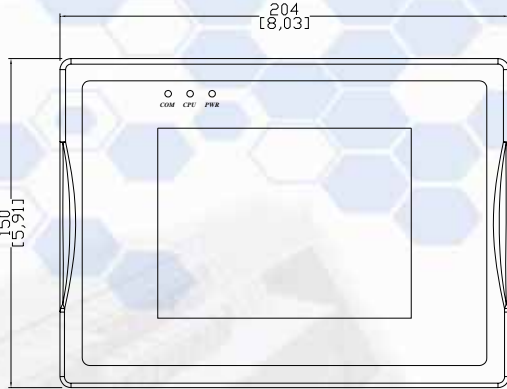
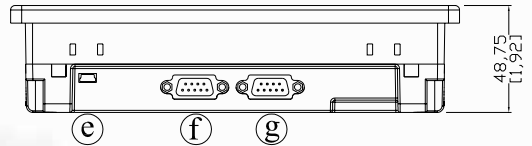


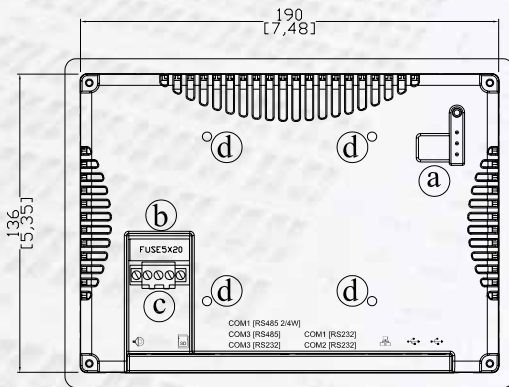
Dimensions Drawing



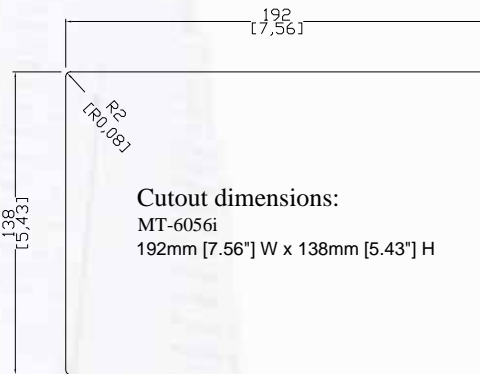
Front View



Bottom View



Rear View



Cutout dimensions:
 MT-6056i
 192mm [7.56"] W x 138mm [5.43"] H

a	DIP SW & Reset button	e	USB Device port
b	Fuse	f	Com1[RS232]
c	Power connector	g	Com1[RS485]
d	VESA 75mm screw holes		

Ordering Information

- MT-6056i:**
 5.6" TFT LCD HMI, 128MB flash memory/64MB DDR2 RAM on board.
- USBCBL-2:**
 MT6000/8000 i series download cable / Mini USB to USB 2.0 100 cm
- PS506 / PS506-1:**
 5.6" Protective Sheet