

IronHorse™ AC Motor Accessories

T Frame TEFC Motors – Three-phase Industrial Duty – 1 to 300 hp – C-Flange Kits

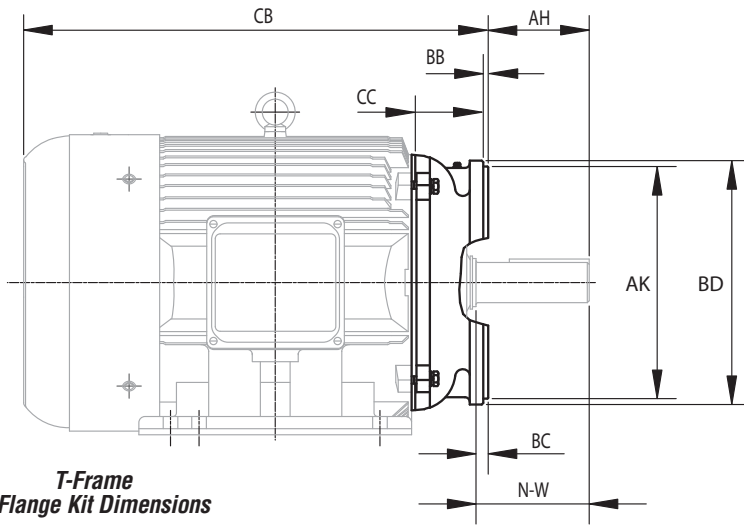
We stock 1800 rpm NEMA cast iron T-frame motors from 1–300hp, and TC-frame motors from 1–100hp.

We also offer IronHorse cast iron C-flange kits which can be used for C-face mounting of our IronHorse cast iron T-frame motors. The kits are field installable and include the C-faces and bolts.

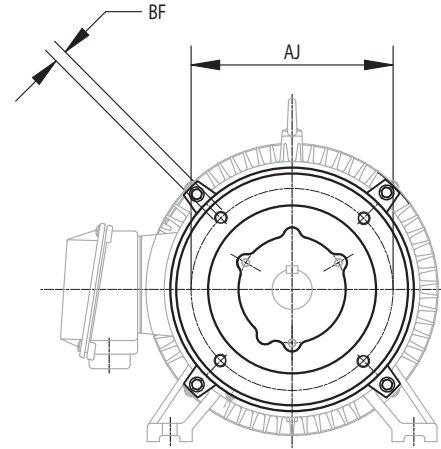


Three Phase T-Frame Motor C-Flange Kits					
Part Number	Fits Frame	Fits Motor Number	Motor HP	Shipping Weight (lb)	
MTA-CFACE-140TC	143T	MTC-001-3BD18	1	6.0	
	145T	MTC-1P5-3BD18	1-1/2		
	145T	MTC-002-3BD18	2		
MTA-CFACE-180TC	182T	MTC-003-3BD18	3	12	
	184T	MTC-005-3BD18	5		
MTA-CFACE-210TC	213T	MTC-7P5-3BD18	7-1/2	12	
	215T	MTC-010-3BD18	10		
MTA-CFACE-250TC	254T	MTC-15-3BD18	15	32	
	256T	MTC-20-3BD18	20		
MTA-CFACE-280TC	284T	MTC-25-3BD18	25	38	
	286T	MTC-30-3BD18	30		
MTA-CFACE-320TC	324T	MTC-40-3BD18	40	60	
	326T	MTC-50-3BD18	50		
MTA-CFACE-360TC	364T	MTC-60-3BD18	60	62	
	365T	MTC-75-3BD18	75		
MTA-CFACE-400TC⁽¹⁾	405T	MTC-100-3BD18	100	144 ⁽¹⁾	
	444T	MTC-125-3BD18	125	156 ⁽¹⁾	
445T	MTC-150-3BD18	150			
MTA-CFACE-447TC⁽¹⁾	445/7T	MTC-200-3BD18	200	154 ⁽¹⁾	
MTA-CFACE-449TC⁽¹⁾	449T	MTC-250-3D18	250	168 ⁽¹⁾	
		MTC-300-3D18	300		

1) For components weighing over 100 lbs: A) LTL shipment required. B) Order before 4:00 p.m. EST for same day shipment. C) You must have a receiving loading dock. D) Not available in Hawaii or Puerto Rico.



T-Frame C-Flange Kit Dimensions



Dimensions [inches] - T-Frame Motor C-Flange Kits											
Part Number	Frame Type	AH ⁽²⁾	AJ	AK	BB	BC ⁽²⁾	BD	BF	CB ⁽²⁾	CC	N-W ⁽²⁾
MTA-CFACE-140TC⁽¹⁾	143T / 145T	1.96	5.875 ⁽¹⁾	4.5 ⁽¹⁾	0.16	0.12	6.5	3/8-16	10.61 / 11.62	1.43	2.25
MTA-CFACE-180TC	182T / 184T	2.62	7.25	8.5	0.25	0.12	9	1/2-13	12.49 / 13.49	1.17	2.75
MTA-CFACE-210TC	213T / 215T	3.12	7.25	8.5	0.25	0.25	9	1/2-13	15.77 / 17.37	1.45	3.38
MTA-CFACE-250TC	254T / 256T	3.75	7.25	8.5	0.25	0.25	10	1/2-13	19.54 / 21.31	2.89	4
MTA-CFACE-280TC	284T / 286T	4.38	9	10.5	0.25	0.25	11.25	1/2-13	22.26 / 23.80	3.26	4.62
MTA-CFACE-320TC	324T / 326T	5	11	12.5	0.25	0.25	14	5/8-11	24.95 / 26.24	3.67	5.25
MTA-CFACE-360TC	364T / 365T	5.62	11	12.5	0.25	0.25	14	5/8-11	27.06 / 28.49	4.06	5.88
MTA-CFACE-400TC	405T	7	11	12.5	0.25	0.25	15.5	5/8-11	31.35	4.33	7.25
MTA-CFACE-444TC	444T / 445T	8.25	14	16	0.25	0.25	18	5/8-11	34.27 / 36.25	4.11	8.5
MTA-CFACE-447TC	445/7T	8.25	14	16	0.25	0.25	18	5/8-11	39.78	4.11	8.5
MTA-CFACE-449TC	449T	8.248	14	16	0.26	0.26	17.72	5/8-11	47.26	4.35	8.5

(1) Mounting bolt holes for MTA-CFACE-140TC are located outside of the highest C-face flange surface (dimension AJ > AK).
 (2) Motor dependent dimensions apply only to IronHorse MTC-xxx-xxxx(CK) motors.

NOTE:
 MOTOR HOUSING DIMENSIONS FOR TC FRAME MOTORS (MTC-XXX-XXXXCK) ARE SHOWN ON THE PREVIOUS PAGE WITH T-FRAME MOTOR DIMENSIONS. TC-FRAME MOTORS ARE T-FRAME MOTORS WITH C-FLANGE ACCESSORY KITS INSTALLED.



- PLC Overview
- DL05/06 PLC
- DL105 PLC
- DL205 PLC
- DL305 PLC
- DL405 PLC
- Field I/O
- Software
- C-more HMIs
- Other HMI
- AC Drives
- Motors**
- Steppers/Servos
- Motor Controls
- Proximity Sensors
- Photo Sensors
- Limit Switches
- Encoders
- Current Sensors
- Pushbuttons/Lights
- Process
- Relays/Timers
- Comm.
- TB's & Wiring
- Power
- Circuit Protection
- Enclosures
- Appendix
- Part Index

STABLE AC Motor Slide Bases

Mounting Slide Bases for 56 to 449T NEMA Motors

Features

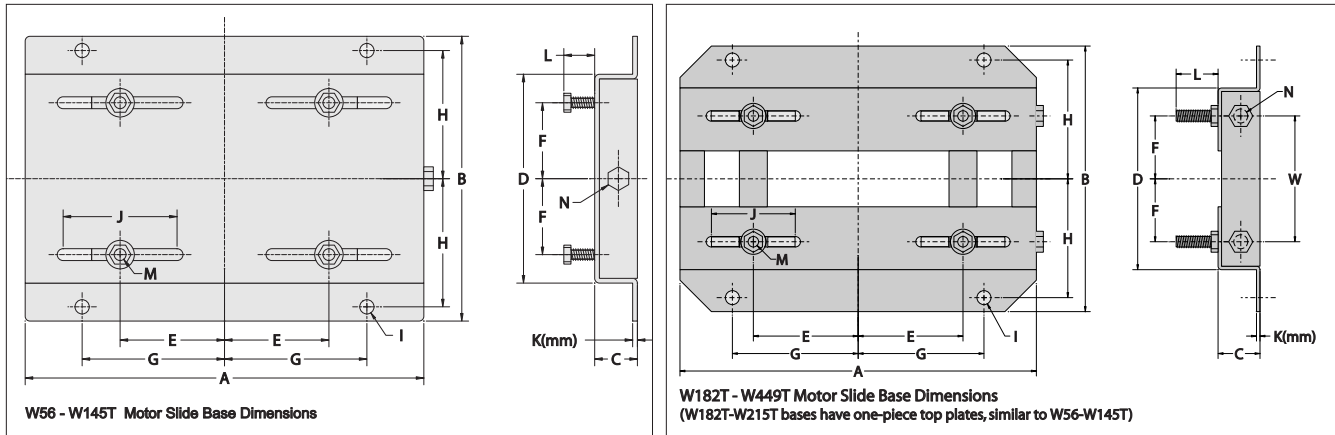
- Allows adjustment of motor mounting position
- Double adjusting screws for frames 182T - 449T
- Manufactured to precise dimensional standards
- Dimensionally interchangeable with existing major makes
- Heavy-duty steel construction
- Painted with oven-baked primer for better adhesion of customer's paint
- All "D" bolts (motor mounting bolts) are fixed to the exact motor foot pattern
- All "D" bolts are welded into position to prevent spinning and dropping from slots
- Bases are provided with washers



Motor Slide Bases										
Part Number		Fits Frame Type	Shipping Weight (lb)	IronHorse Motor	Marathon microMAX Motor	Marathon Black Max 230/460V	Marathon Black Max 575V	Marathon Blue Max Motor	Marathon Blue Chip XRI 230/460V	Marathon Blue Chip XRI 575V
MTA-BASE-W56		56	3.5	MTR-xxx-1AB18 MTR-xxx-3BD18	Y500 Y360 Y364	Y592(-A772) Y534(-A772) Y535(-A772)	Y555(-A772) Y556(-A772)	-	-	-
MTA-BASE-W143T		143T/TC	5.0	MTC-001-3BD18(CK)	-	Y536(-A772)	-	-	-	-
MTA-BASE-W145T		145T/TC	5.6	MTC-1P5-3BD18(CK) MTC-002-3BD18(CK)	Y368	Y537(-A772) Y538(-A772) Y551(-A772)	Y557(-A772)	-	-	-
MTA-BASE-W182T		182T/TC	10	MTC-003-3BD18(CK)	Y999	Y541(-A772)	Y558(-A772)	-	-	-
MTA-BASE-W184T		184T/TC	10	MTC-005-3BD18(CK)	Y372	Y540(-A772) Y543(-A772)	Y559(-A772)	-	-	-
MTA-BASE-W213T		213T/TC	15	MTC-7P5-3BD18(CK)	Y994	Y542(-A772) Y545(-A772)	Y560(-A772)	-	-	-
MTA-BASE-W215T		215T/TC	16	MTC-010-3BD18(CK)	Y996	Y544(-A772) Y547(-A772)	Y561(-A772)	-	-	-
MTA-BASE-W254T		254T/TC	20	MTC-15-3BD18(CK)	-	Y546(-A772) Y549(-A772)	Y562(-A772)	-	E205	E307
MTA-BASE-W256T		256T/TC	21	MTC-20-3BD18(CK)	-	Y548(-A772) Y552(-A772)	Y563(-A772)	-	E206	E308
MTA-BASE-W284T		284T/TC	23	MTC-25-3BD18(CK)	-	Y553(-A772)	Y567(-A772)	-	E207	E309
MTA-BASE-W286T		286T/TC	24	MTC-30-3BD18(CK)	-	Y393(-A772)	Y394(-A772)	-	E208	E310
MTA-BASE-W324T		324T/TC	33	MTC-40-3BD18(CK)	-	-	-	Y571(-A774) Y513(-A775)	E209	E311
MTA-BASE-W326T		326T/TC	35	MTC-50-3BD18(CK)	-	-	-	Y572(-A774) Y514(-A775)	E210	E312
MTA-BASE-W364T		364T/TC	46	MTC-60-3BD18(CK)	-	-	-	Y573(-A774) Y515(-A775)	E211	E313
MTA-BASE-W365T		365T/TC	47	MTC-75-3BD18(CK)	-	-	-	Y574(-A774) Y516(-A775)	E212	E315
MTA-BASE-W404T		404T/TC	64	-	-	-	-	-	-	-
MTA-BASE-W405T		405T/TC	65	MTC-100-3BD18(CK)	-	-	-	Y575(-A774) Y517(-A7725)	E213	E314
MTA-BASE-W444T		444T	69	MTC-125-3BD18	-	-	-	-	-	-
MTA-BASE-W445T		445T	70	MTC-150-3BD18	-	-	-	-	-	-
MTA-BASE-W447T		445/7T 447T	92	MTC-200-3BD18	-	-	-	-	-	-
MTA-BASE-W449T		449T	98	MTC-250-3D18 MTC-300-3D18	-	-	-	-	-	-

STABLE AC Motor Slide Bases

Dimensions – Mounting Slide Bases for NEMA Motors



Dimensions [inches, except as noted] - STABLE Motor Slide Bases

MTA-BASE-Wxxxx	A	B	C	D	E	F	G	H	I	J	K(mm)	L	M	N	W
56	10-5/8	6-1/2	1-1/8	4-1/2	2-7/16	1-1/2	3-13/16	2-7/8	3/8	3	2 mm	7/8	5/16 x 1	3/8 x 4	n/a
143T	10-1/2	7-1/2	1-1/8	5-1/2	2-3/4	2	3-3/4	3-3/8	3/8	3	3 mm	13/16	5/16 x 1	3/8 x 4	n/a
145T	10-1/2	8-1/2	1-1/8	6-1/2	2-3/4	2-1/2	3-3/4	3-7/8	3/8	3	3 mm	13/16	5/16 x 1	3/8 x 4	n/a
182T	12-3/4	9-1/2	1-1/2	6-1/2	3-3/4	2-1/4	4-1/2	4-1/4	1/2	3	3.5 mm	1-1/2	3/8 x 1-3/4	1/2 x 6	4-1/2
184T	12-3/4	10-1/2	1-1/2	7-1/2	3-3/4	2-3/4	4-1/2	4-3/4	1/2	3	3.5 mm	1-1/2	3/8 x 1-3/4	1/2 x 6	5-1/2
213T	15	11	1-3/4	7-1/2	4-1/4	2-3/4	5-1/4	4-3/4	1/2	3-1/2	3.8 mm	1-1/2	3/8 x 1-3/4	1/2 x 6	5-1/2
215T	15	12-1/2	1-3/4	9	4-1/4	3-1/2	5-1/4	5-1/2	1/2	3-1/2	3.8 mm	1-1/2	3/8 x 1-3/4	1/2 x 6	7
254T	17-3/4	15-1/8	2	10-3/4	5	4-1/8	6-1/4	6-5/8	5/8	4	4.6 mm	1-7/16	1/2 x 1-3/4	5/8 x 6	5-5/16
256T	17-3/4	16-7/8	2	12-1/2	5	5	6-1/4	7-1/2	5/8	4	4.6 mm	1-7/16	1/2 x 1-3/4	5/8 x 6	7
284T	19-3/4	16-7/8	2	12-1/2	5-1/2	4-3/4	7	7-1/2	5/8	4-1/2	4.6 mm	1-11/16	1/2 x 2	5/8 x 6	7
286T	19-3/4	18-3/8	2	14	5-1/2	5-1/2	7	8-1/4	5/8	4-1/2	4.6 mm	1-11/16	1/2 x 2	5/8 x 6	8
324T	22-3/4	19-1/4	2-1/2	14	6-1/4	5-1/4	8	8-1/2	3/4	5-1/4	4.6 mm	2-3/16	5/8 x 2-1/2	3/4 x 9	7
326T	22-3/4	20-3/4	2-1/2	15-1/2	6-1/4	6	8	9-1/4	3/4	5-1/4	4.6 mm	2-3/16	5/8 x 2-1/2	3/4 x 9	8-1/2
364T	25-1/2	20-1/2	2-1/2	15-1/2	7	5-5/8	9	9-1/8	3/4	6	5.8 mm	2-1/16	5/8 x 2-1/2	3/4 x 9	7-3/4
365T	25-1/2	21-1/2	2-1/2	16-1/2	7	6-1/8	9	9-5/8	3/4	6	5.8 mm	2-1/16	5/8 x 2-1/2	3/4 x 9	8-3/4
404T	28-3/4	22-3/8	3	16-1/2	8	6-1/8	10	9-7/8	7/8	7	5.8 mm	2-1/2	3/4 x 3	3/4 x 11	8-3/4
405T	28-3/4	23-7/8	3	18	8	6-7/8	10	10-5/8	7/8	7	5.8 mm	2-1/2	3/4 x 3	3/4 x 11	10-1/4
444T	31-1/4	24-5/8	3	19-1/4	9	7-1/4	11	11	7/8	7-1/2	5.8 mm	2-1/2	3/4 x 3	3/4 x 11	11
445T	31-1/4	26-5/8	3	21-1/4	9	8-1/4	11	12	7/8	7-1/2	5.8 mm	2-1/2	3/4 x 3	3/4 x 11	13
447T	31-1/4	30-1/8	3	24-3/4	9	10	11	13-3/4	7/8	7-1/2	8 mm	3	3/4 x 3-1/2	3/4 x 11	16-1/2
449T	31-1/4	35-1/8	3	29-3/4	9	12-1/2	11	16-1/4	7/8	7-1/2	8 mm	3	3/4 x 3-1/2	3/4 x 11	21-1/2

PLC Overview

DL05/06 PLC

DL105 PLC

DL205 PLC

DL305 PLC

DL405 PLC

Field I/O

Software

C-more HMIs

Other HMI

AC Drives

Motors

Steppers/Servos

Motor Controls

Proximity Sensors

Photo Sensors

Limit Switches

Encoders

Current Sensors

Pushbuttons/Lights

Process

Relays/Timers

Comm.

TB's & Wiring

Power

Circuit Protection

Enclosures

Appendix

Part Index