

# Sensors Accessories – IP69K-rated Cables

## Cables with quick-disconnect plugs

- Industry standard axial and right-angle M12 or 1/2" micro connectors with open leads
- 5m and 10m cable lengths
- PVC (polyvinyl chloride) jacket for food and beverage industrial applications
- IP69K rated for food and beverage industrial applications
- 316L stainless steel coupling nut
- EPDM o-ring



M12 Quick-Disconnect Cables (Euro, Micro DC-Single Key)							
Part Number	Price	Length	Poles	Connector	LED	Jacket	Dimensions
<b>M12 Quick-Disconnects</b>							
EVT221	<--->	5m (16.4ft)	4	Axial	No	Orange PVC	Figure 4
EVT222	<--->	5m (16.4ft)	4	Right-angle	No	Orange PVC	Figure 1
EVT223	<--->	10m (32.8ft)	4	Axial	No	Orange PVC	Figure 4
EVT224	<--->	10m (32.8ft)	4	Right-angle	No	Orange PVC	Figure 1
<b>Micro AC Volt 1/2 Inch - 20UNF Cables</b>							
<b>1/2" Quick-Disconnects</b>							
E18446	<--->	5m (16.4ft)	3	Axial	No	Yellow PVC	Figure 6
E18447	<--->	5m (16.4ft)	3	Right-angle	No	Yellow PVC	Figure 5
E18448	<--->	10m (32.8ft)	3	Axial	No	Yellow PVC	Figure 6
E18449	<--->	10m (32.8ft)	3	Right-angle	No	Yellow PVC	Figure 5

## Patch cables with quick-disconnect plugs on each end

- Available patch cables include:
- Industry standard M12 screw-lock connectors
  - One male and one female connector
  - Axial and right-angle connector models
  - 0.3m, 0.6m, 1m, 2m and 5m cable lengths
  - PVC (polyvinyl chloride) jacket for food and beverage industrial applications
  - IP69K rating, suitable for food and beverage industrial applications
  - 316L stainless steel coupling nut
  - EPDM o-ring



M12 Patch Cables with Quick-Disconnect on Each End (Euro, Micro DC-Single Key)						
Part Number	Price	Length	Poles	Connectors	Jacket	Dimensions
<b>M12 Quick-Disconnect Patch Cables</b>						
EVT225	<--->	0.3m (0.98ft)	4	Axial female plug to axial male plug	Orange PVC	Figure 3
EVT226	<--->	0.3m (0.98ft)	4	Right angle female plug to axial male plug	Orange PVC	Figure 2
EVT227	<--->	0.6m (1.97ft)	4	Axial female plug to axial male plug	Orange PVC	Figure 3
EVT228	<--->	0.6m (1.97ft)	4	Right angle female plug to axial male plug	Orange PVC	Figure 2
EVT229	<--->	1m (3.3ft)	4	Axial female plug to axial male plug	Orange PVC	Figure 3
EVT230	<--->	1m (3.3ft)	4	Right angle female plug to axial male plug	Orange PVC	Figure 2
EVT231	<--->	2m (6.6ft)	4	Axial female plug to axial male plug	Orange PVC	Figure 3
EVT232	<--->	2m (6.6ft)	4	Right angle female plug to axial male plug	Orange PVC	Figure 2
EVT233	<--->	5m (16.4ft)	4	Axial female plug to axial male plug	Orange PVC	Figure 3
EVT234	<--->	5m (16.4ft)	4	Right angle female plug to axial male plug	Orange PVC	Figure 2

# Sensors Accessories – IP69K-rated Cables



Company Information

Systems Overview

Programmable Controllers

Field I/O

Software

C-more & other HMI

Drives

Soft Starters

Motors & Gearbox

Steppers/ Servos

Motor Controls

Proximity Sensors

Photo Sensors

Limit Switches

Encoders

Current Sensors

Pressure Sensors

Temperature Sensors

Pushbuttons/ Lights

Process

Relays/ Timers

Comm.

Terminal Blocks & Wiring

Power

Circuit Protection

Enclosures

Tools

Pneumatics

Appendix

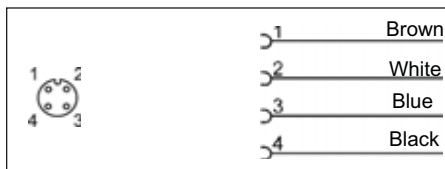
Product Index

Part # Index

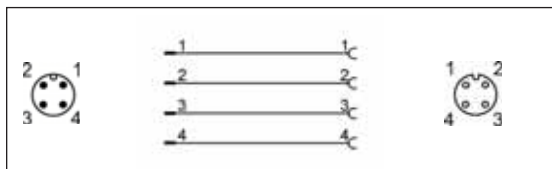
Cable Specifications		
Specification	M12	1/2"
<b>Length</b>	0.3m (0.98ft), 0.6m (1.97ft), 1m (3.3ft), 2m (6.6ft), 5m (16.4ft), 10m (32.8ft)	5m (16.4ft), 10m (32.8ft)
<b>Nominal Voltage</b>	250 VAC/300 VDC	300 VAC/VDC
<b>Max Current</b>	4A	4A
<b>Protection Degree</b>	IEC IP67 / IP68 / IP69K	IEC IP67 / IP68 / IP69K
<b>Material Nut</b>	316L Stainless steel	316L Stainless steel
<b>Jacket Material</b>	PVC	PVC
<b>Housing Material</b>	PVC	PVC
<b>Contacts Material</b>	Gold plated	Gold plated
<b>Tightening Torque</b>	0.6 to 1.5 Nm	
<b>Conductors Cross Section (AWG)</b>	22 AWG	22 AWG
<b>Ø Outer Cable</b>	4.9 mm	4.5 mm
<b>Temperature Range</b>	-25° to 100°C (-13° to 212°F)	-10° to 100°C (14° to 212°F)
<b>Environmental</b>	Halogen free, Silicone free	Halogen free, Silicone free
<b>Bending Radius</b>	min. 10 x cable diameter	
<b>Agency Approvals</b>	UL E191684	UL E177636

## Wiring - M12 DC

EVT221, EVT222, EVT223, EVT224

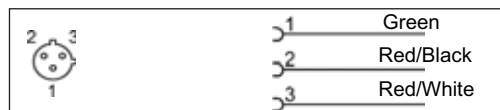


EVT225, EVT226, EVT227, EVT228, EVT229, EVT230, EVT231, EVT232, EVT233, EVT234



## Wiring - 1/2" Micro AC

E18446, E18447, E18448, E18449



UL Reference	
Part Number	UL Catalog Number
<b>EVT221</b>	ADOGH040VAS0005E04
<b>EVT222</b>	ADOAH040VAS0005E04
<b>EVT223</b>	ADOGH040VAS0010E04
<b>EVT224</b>	ADOAH040VAS0010E04
<b>EVT225</b>	VDOGH040VAS00.3E04STGH040VAS
<b>EVT226</b>	VDOAH040VAS00.3E04STGH040VAS
<b>EVT227</b>	VDOGH040VAS00.6E04STGH040VAS
<b>EVT228</b>	VDOAH040VAS00.6E04STGH040VAS
<b>EVT229</b>	VDOGH040VAS0001E04STGH040VAS
<b>EVT230</b>	VDOAH040VAS0001E04STGH040VAS
<b>EVT231</b>	VDOGH040VAS0002E04STGH040VAS
<b>EVT232</b>	VDOAH040VAS0002E04STGH040VAS
<b>EVT233</b>	VDOGH040VAS0005E04STGH040VAS
<b>EVT234</b>	VDOAH040VAS0005E04STGH040VAS

# Sensors Accessories – IP69K-rated Cables

## Dimensions mm (in)

Figure 1

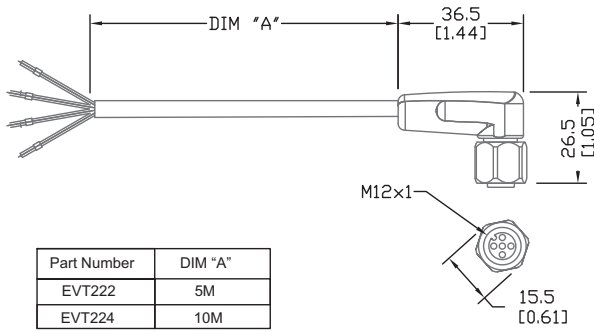


Figure 2

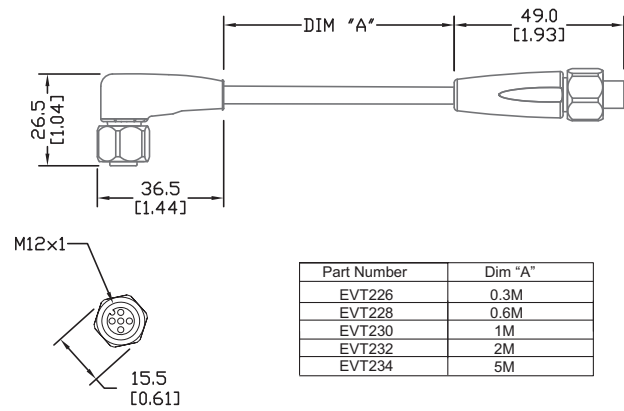


Figure 3

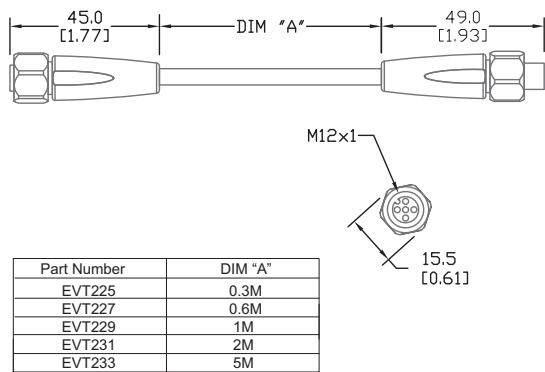


Figure 4

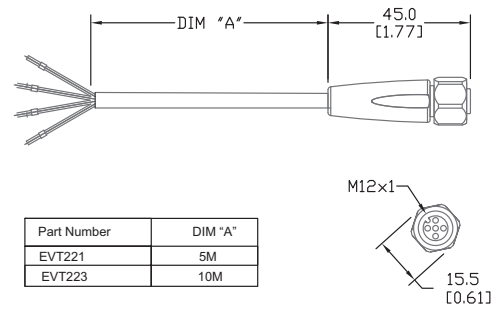


Figure 5

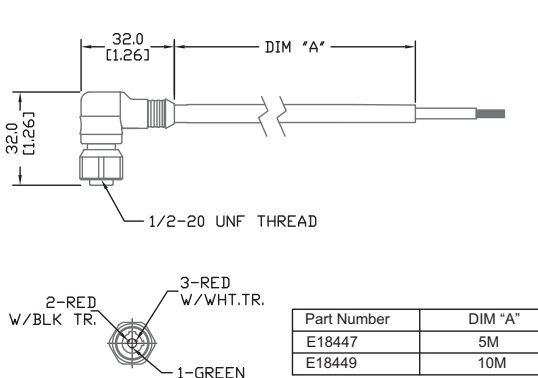
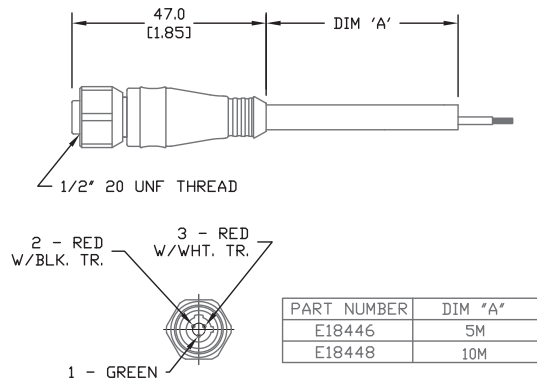


Figure 6



# Accessories: Adapter, Mounting Brackets

## ST12A axial bracket

For mounting M12 (12 mm) sensors. Has two mounting holes (use 3 mm screws) and allows the rotation of an optical axis for right-beam angle adapter sensors. Hexagonal nuts not included.

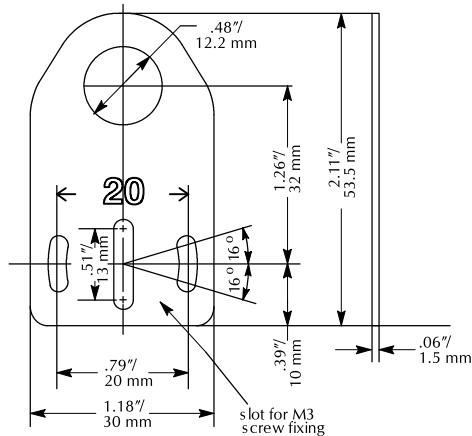


## ST12C right-angle bracket

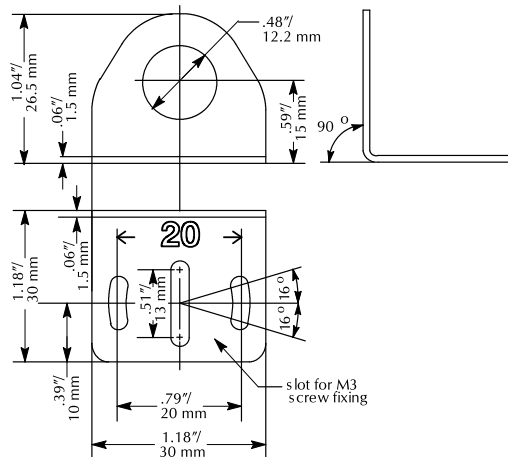
Angular mounting bracket for use with M12 (12 mm) sensors. Has two mounting holes (use 3 mm screws) and allows the rotation of an optical axis for axial sensors. Hexagonal nuts not included.



Brackets		
Part Number	Price	Description
ST12A	<-->	Metal axial bracket for 12 mm sensors, 1/pk
ST12A7W	<-->	316L stainless steel axial bracket for 12 mm sensors, 1/pk



Brackets		
Part Number	Price	Description
ST12C	<-->	Metal right angle bracket for 12 mm sensors, 1/pk
ST12C7W	<-->	316L stainless steel right angle bracket for 12 mm sensors, 1/pk



## ST18A axial bracket

Mounting bracket for M18 (18 mm) sensors. Has two mounting holes (use 4 mm screws) and allows the rotation of an optical axis for right-beam-angle-adaptor sensors. Hexagonal nuts not included.

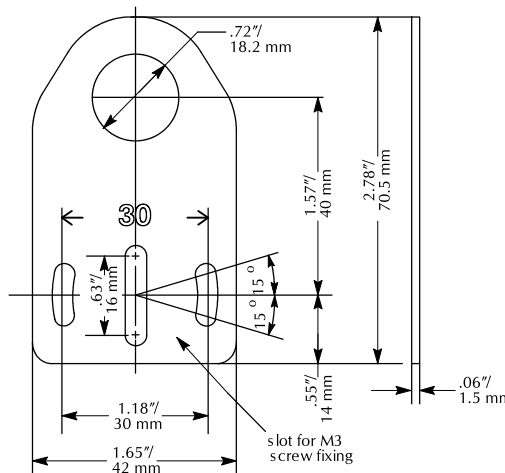


## ST18C right-angle bracket

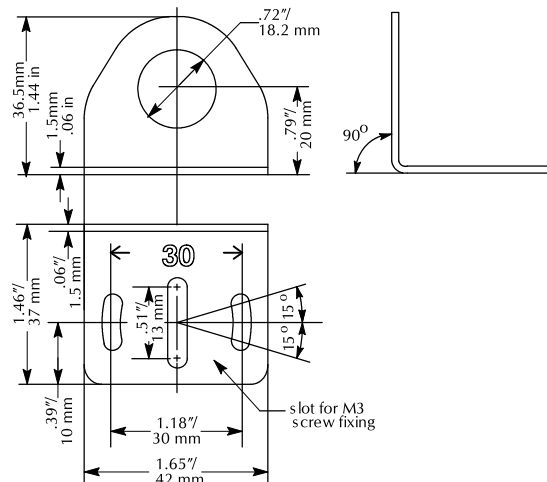
Angular mounting bracket for M18 (18 mm) sensors. Has two mounting holes (use 4 mm screws) and allows the rotation of an optical axis for axial sensors. Hexagonal nuts not included.



Brackets		
Part Number	Price	Description
ST18A	<-->	Metal axial bracket for 18 mm sensors, 1/pk
ST18A7W	<-->	316L stainless steel axial bracket for 18 mm sensors, 1/pk



Brackets		
Part Number	Price	Description
ST18C	<-->	Metal right angle bracket for 18 mm sensors, 1/pk
ST18C7W	<-->	316L stainless steel right angle bracket for 18 mm sensors, 1/pk



# Accessories: Mounting Brackets

## ST30A axial bracket

Mounting M30 (30 mm) sensors. Has two mounting holes (use 5 mm screws) and allows the rotation of an optical axis for right-beam-angle-adapter sensors. Hexagonal nuts not included.



## ST30C right-angle bracket

Angular mounting bracket for M30 (30 mm) sensors. Has two mounting holes (use 5 mm screws) and allows the rotation of an optical axis for axial sensors. Hexagonal nuts not included.



Brackets		
Part Number	Price	Description
ST30A	<--->	Metal axial bracket for 30 mm sensors, 1/pk

Brackets		
Part Number	Price	Description
ST30C	<--->	Metal right angle bracket for 30 mm sensors, 1/pk

