

# HPS Imperator™ Transformers

## Accessories – Terminal Covers and Fuse Kits

### Finger-safe terminal covers

These one-piece molded terminal covers are a quick and easy way to provide safety and protection in the workplace. They protect operators from potential shock hazards and guard against accidental contact with the fuses.



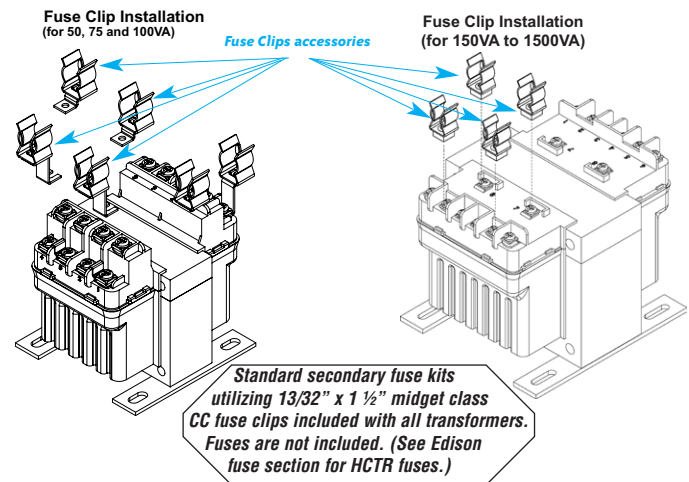
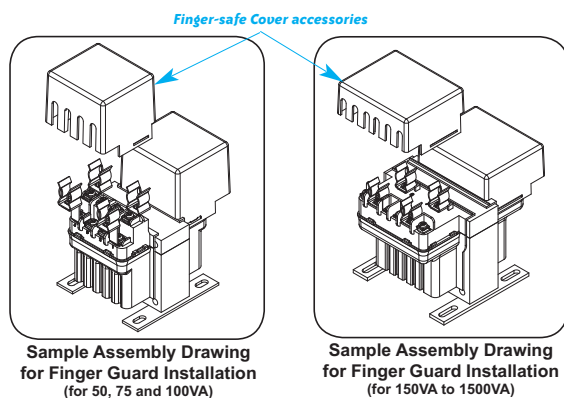
### Fuse Kits

These optional primary side fuse kits contain four fuse clips, four mounting screws, and complete instructions.

The table below makes it easy to choose the correct terminal covers and fuse kits for your Hammond control transformer.



Transformer	Finger-Safe Terminal Covers			Primary Side Fuse Kits	
Part Number	Part Number	Pcs/Pkg	Description.	Part Number	Pcs/Pkg
PH50MQMJ PH50PG	FG1	1 cover	Finger-safe cover for 50VA unfused control transformers. Cover fits primary side or secondary side.	PFK1	4 fuse clips, 4 mounting screws
	FGF1	1 cover	Finger-safe cover for 50VA fused control transformers. Cover fits primary side or secondary side.		
PH75MQMJ PH75PG	FG2	1 cover	Finger-safe cover for 75VA and 100VA unfused control transformers. Cover fits primary side or secondary side.		
PH75MQMJ PH75PG PH100MQMJ PH100PG	FGF2	1 cover	Finger-safe cover for 75VA and 100VA fused control transformers. Cover fits primary side or secondary side.		
PH150MQMJ PH150PG PH250MQMJ PH250PG	FG3	1 cover	Finger-safe cover for 150VA and 250VA fused and unfused control transformers. Cover fits primary side or secondary side.		
PH350MQMJ PH350PG PH500MQMJ PH500PG PH750MQMJ	FG4	1 cover	Finger-safe cover for 350VA and 500VA fused and unfused control transformers. Also for use with PH750MQMJ. Cover fits primary side or secondary side.	PFK3	4 fuse clips, 4 mounting screws
PH750PG PH1000MQMJ PH1000PG PH1500MQMJ	FG5	1 cover	Finger-safe cover for 750VA (PH750PG only), 1kVA and 1.5kVA fused and unfused control transformers. Cover fits primary side or secondary side.		4 fuse clips, 4 mounting screws



1. Torque all terminal screws between 12 and 14 in-lbs.
2. For all bare wire connections, the recommended wire size range is 18 AWG to 14 AWG for solid wire, and 14 AWG for stranded. A ring or spade connector must be used if using a wire size outside the range listed above.
3. Ensure mounting screws used for transformer installation (not supplied) are properly sized for transformer weight.
4. When mounting fuse clips, remove the appropriate captive washer screw(s) from terminal block and install fuse clip(s) and new terminal screw(s).
5. Please refer to wiring instructions included with the Hammond control transformer for connection details.