

DC Output Modules

NOT SUPPORTED IN D2-230, D2-240 AND D2-250 CPUs.

F2-16TD1P DC Output with Fault Protection	
Inputs per module	16 (status indication)
Outputs per module	16 (current sinking)
Commons per module	1 (2 I/O terminal points)
Output type	NMOS FET (open drain)
Operating voltage	10.2 -26.4 VDC, external
Peak voltage	40 VDC
AC frequency	N/A
ON voltage drop	0.7 V (output current 0.5A)
Overcurrent trip	0.6 A min., 1.2 A max.
Maximum load current	0.25 A continuous, 0.5 A peak
Maximum OFF current	Jumper J6 installed: 200 μ A; J6 removed: 30 μ A
Base power required 5V	70 mA
OFF to ON response	0.5 ms
ON to OFF response	0.5 ms
Terminal type	Removable (D2-16IOCON)
Status indicators	Logic Side
Weight	2.0 oz. (25g)
Fuses	None
External DC required	24 VDC +/-10% @ 50 mA
External DC overvoltage shutdown	27 V, outputs are restored when voltage is within limits

F2-16TD2P DC Output with Fault Protection	
Inputs per module	16 (status indication)
Outputs per module	16 (current sourcing)
Commons per module	1
Output type	NMOS FET (open source)
Operating voltage	10.2 -26.4 VDC, external
Peak voltage	40 VDC
AC frequency	N/A
ON voltage drop	0.7 V (output current 0.5A)
Overcurrent trip	0.6 A min., 1.2A max.
Maximum load current	0.25 A continuous, 0.5A peak
Maximum OFF current	Jumper J6 installed: 200 μ A; J6 removed: 30 μ A
Base power required 5V	70 mA
OFF to ON response	0.5 ms
ON to OFF response	0.5 ms
Terminal type	Removable (D2-16IOCON)
Status indicators	Logic Side
Weight	2.0 oz. (25g)
Fuses	None
External DC required	24 VDC +/-10% @ 50 mA
External DC overvoltage shutdown	27 V, outputs are restored when voltage is within limits

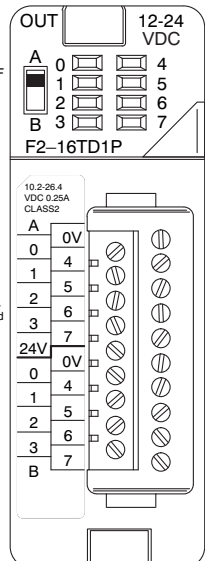
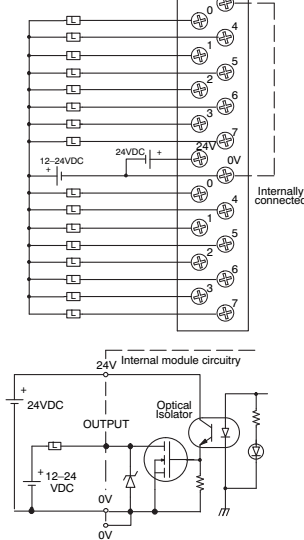
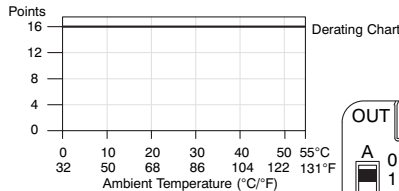
Module detects the following faults:

1. Missing external 24 VDC
2. Open load
3. Over temperature
4. Over load current



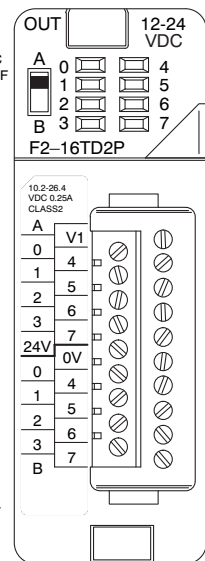
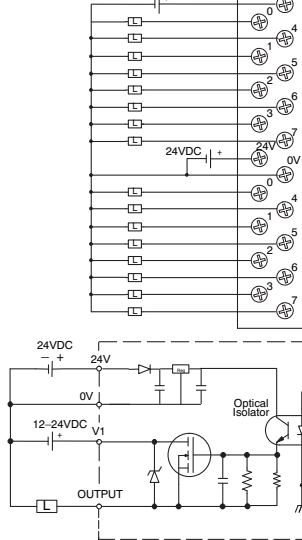
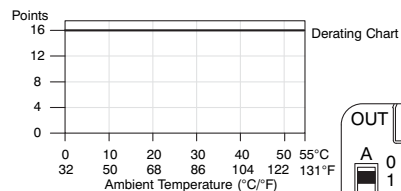
Module detects the following faults:

1. Missing external 24 VDC
2. Open load
3. Over temperature
4. Over load current



When the A/B switch is in the A position, the LEDs display the output status of the module's first 8 output points. Position B displays the output status of the module's second group of 8 output points.

CPU	Firmware Required
D2-250-1	Version 4.80 or later
D2-260	Version 2.60 or later



When the A/B switch is in the A position, the LEDs display the output status of the module's first 8 output points. Position B displays the output status of the module's second group of 8 output points.

CPU	Firmware Required
D2-250-1	Version 4.80 or later
D2-260	Version 2.60 or later

Note: Think & Do Live! and Studio do not currently support the F2-16TD1P and F2-16TD2P modules.