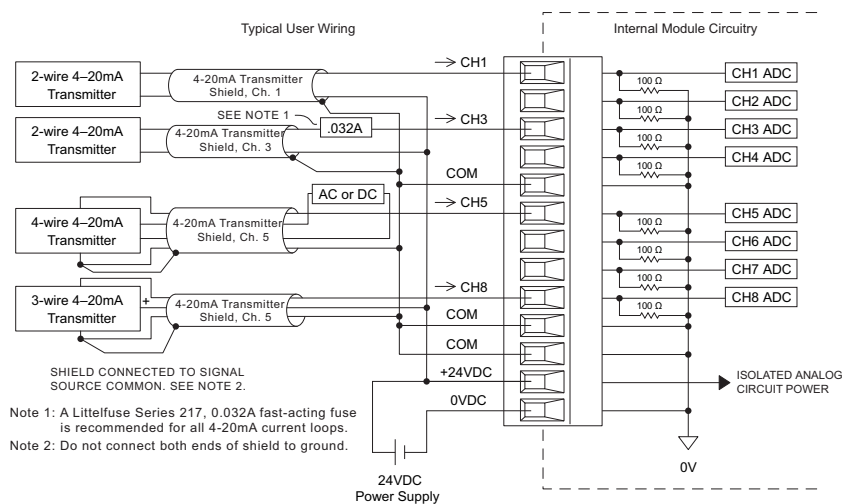
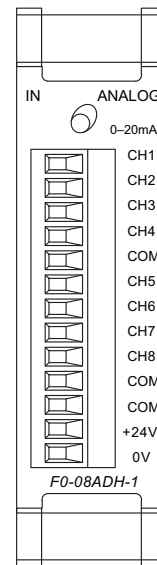


# DL05/06 Option Modules

## F0-08ADH-1 <--->

8-channel analog mA input module, high resolution

| Input Specifications                            |  |
|---|--|
| <b>Number of Channels</b>                       | 8  |
| <b>Input Range</b>                              | 0-20mA   |
| <b>Resolution</b>                               | 16-bit, .305µA/bit   |
| <b>Input Type</b>                               | Single Ended (one common)  |
| <b>Maximum Cont. Overload</b>                   | ±31mA  |
| <b>Input Impedance</b>                          | 100 ohms, 1/10W, current input   |
| <b>Filter Characteristics</b>                   | Low pass, -3dB @ 60Hz  |
| <b>PLC Data Format</b>                          | 16-bit, Unsigned Int., 0-FFFF (binary) or 0-65535 (BCD) (Both require 2 words of V-memory) |
| <b>Sample Duration Time</b>                     | 10.2ms (time to 95% of full step change / channel)   |
| <b>All Channel Update Rate</b>                  | 81.6ms (10.2ms x 8 ch.)  |
| <b>Open Circuit Detection Time</b>              | Zero reading within 1s   |
| <b>Conversion Method</b>                        | Successive Approximation   |
| <b>Accuracy vs. Temperature</b>                 | ±50PPM/°C Max.   |
| <b>Maximum Inaccuracy</b>                       | 0.2% of range (including temp. changes)  |
| <b>Linearity Error (End to End)</b>             | ±10 count max.; Monotonic with no missing codes  |
| <b>Input Stability and Repeatability</b>        | ±10 count max.   |
| <b>Full Scale Calibration Error</b>             | ±10 count max.   |
| <b>Offset Calibration Error</b>                 | ±10 count max.   |
| <b>Maximum Crosstalk at DC, 50 Hz and 60 Hz</b> | ±10 count max.   |
| <b>External 24VDC Power Required</b>            | 25mA   |
| <b>Base Power Required (5.0V)</b>               | 25mA   |
| <b>Recommended Fuse</b>                         | Littelfuse Series 217, .032A fuse  |



| CPU  | Firmware Required     | DirectSOFT Required                         |
|------|-----------------------|---|
| DL05 | Version 5.20 or later | DirectSOFT32 Version 3.0c or later          |
| DL06 | Version 2.30 or later | DirectSOFT32 Version 4.0, Build 16 or later |