

Edison Fuses – HCLR Current Limiting Class CC

Features

- Branch circuit rated for 600 VAC
- Compact dimensions
- Fast-acting design responds quickly to both overload and short-circuit current

Applications

- Lighting
- Resistive heating loads

HCLR Specifications

Fast-Acting

Voltage Rating: HCLR - 600 VAC

Ampere Rating: 0.5 - 30 Amps

Interrupting Rating:

200,000 RMS Symmetrical Amps

Current Limiting: Class CC Fuse

Agency Approvals

- UL Listed, Class CC, Guide JDDZ, File E162363
- CSA Certified HRCl-MISC per C22.2, No. 248.4
- CE Compliant

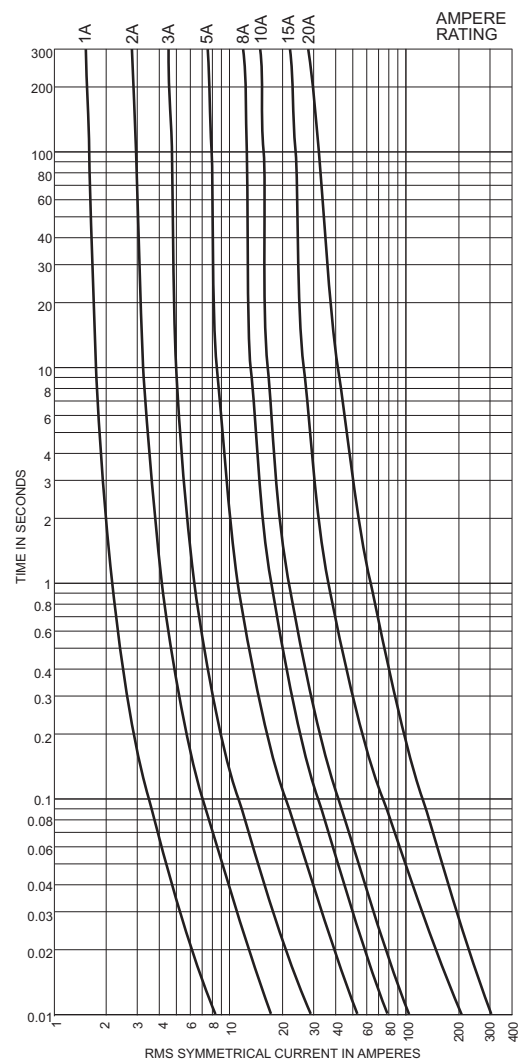


HCLR Current Limiting Class CC Fuses				
Part Number	AMP Rating	Pcs/Pkg	Package Weight	
HCLR-5	0.5	10	0.2 lb	
HCLR-75	0.75			
HCLR1	1			
HCLR1-5	1.5			
HCLR2	2			
HCLR2-5	2.5			
HCLR3	3			
HCLR3-5	3.5			
HCLR4	4			
HCLR5	5			
HCLR6	6			
HCLR7	7			
HCLR8	8			
HCLR9	9			
HCLR10	10			
HCLR12	12			
HCLR15	15			
HCLR20	20			
HCLR25	25			
HCLR30	30			

DIMENSIONS		
Amps	Ferrule (in)	Length (in)
0.5 - 30	13/32	1-1/2

CROSS REFERENCE			
EDISON	BUSSMANN	GOULD	LITTELFUSE
HCLR	KTK-R	ATMR	KLKR

Characteristic Curves



- PLC Overview
- DL05/06 PLC
- DL105 PLC
- DL205 PLC
- DL305 PLC
- DL405 PLC
- Field I/O
- Software
- C-more HMIs
- Other HMI
- AC Drives
- Motors
- Steppers/Servos
- Motor Controls
- Proximity Sensors
- Photo Sensors
- Limit Switches
- Encoders
- Current Sensors
- Pushbuttons/Lights
- Process
- Relays/Timers
- Comm.
- TB's & Wiring
- Power
- Circuit Protection
- Enclosures
- Appendix
- Part Index

Edison Fuses – Fuse Holders

Features

- Multiple-pole configurations
- Finger-safe protection
- Optional “open-fuse” indication
- Polyester material is UL 94V-0 rated, self-extinguishing
- Multi-phase connections available for ganging poles
- CE marking

Application

CHM: Edison MCL, MOL, MEQ, MEN midjet fuses.

CHCC: Edison HCLR, HCTR, EDCC fuses



Agency Approvals Class CC

- UL Listed to 512, Guide IZLT, File E14853
- CSA Certified, Std. C22.2 No. 39, Class 6225-01, File LR47235
- IEC 60269
- IEC 60947
- CE Compliant

Agency Approvals Midget

- UL Recognized to 512, Guide IZLT2, File E14853
- CSA Certified, Std. C22.2 No. 39, Class 6225-01, File LR47235
- IEC 60269
- IEC 60947
- CE Compliant

Modular Fuseholder Selection Table														
Series Size	Max Voltage & Current	IEC	UL	CSA	Phase Configuration	No. of 17.5mm Modules	Fuse Holder Without Indication	Box Qty.	Pc. Wt. (lbs.)	Fuse Holder with Neon Indication	Box Qty.	Pc. Wt. (lbs.)	Wire Range	Maximum Torque
CHM Midget Class	UL/CSA 600 VAC/DC, 30A (3 Watt) IEC 690 VAC, 32A	•	†	•	1 pole	1	CHM1D	12	0.14	CHM1DI	12	0.14	1-16mm ² (18-8 AWG)	2.5 Nm (22 lb-in)
		•	†	•	2 pole	2	CHM2D	6	0.3	CHM2DI	6	0.3		
		•	†	•	3 pole	3	CHM3D	4	0.4	CHM3DI	4	0.4		
CHCC Class CC	UL/CSA 600VAC/DC, 30A		††	•	1 pole	1	CHCC1D	12	0.14	CHCC1DI	12	0.14		
			††	•	2 pole	2	CHCC2D	6	0.3	CHCC2DI	6	0.3		
			††	•	3 pole	3	CHCC3D	4	0.4	CHCC3DI	4	0.4		

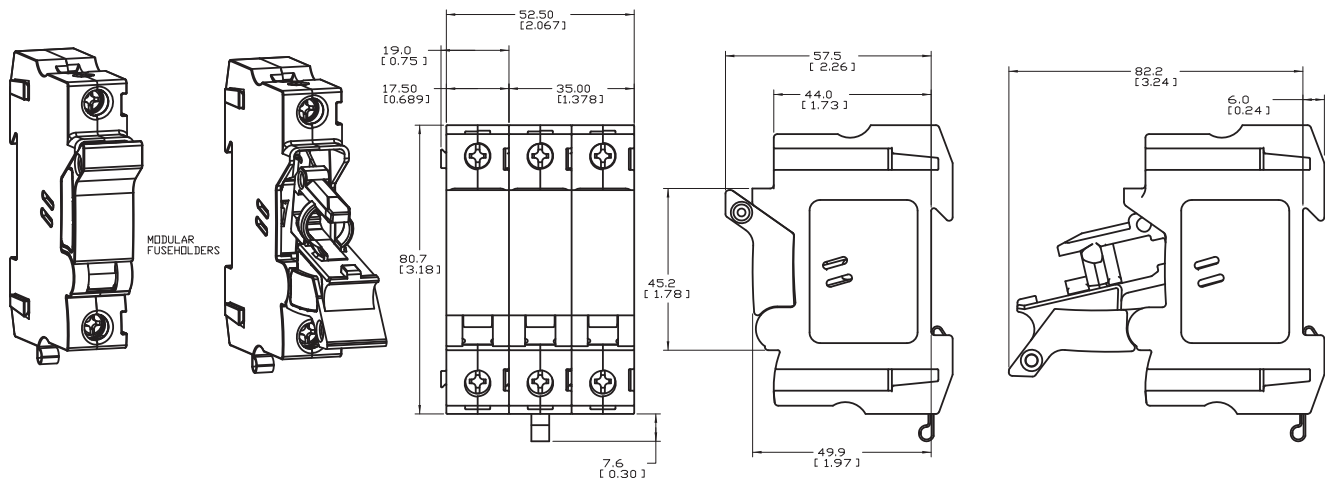
• Holder width as compared to standard 17.5mm module (1 = 17.5mm, 2 = 35mm)

† UL Recognized

†† UL Listed

Fuse Holders Dimensions

mm[inches]



Edison Fuses – Fuse Blocks

Description

These panel-mount fuse blocks are for use with Class CC Fuses (Edison EDCC, HCTR and HCLR).



Specifications

Terminal type: Pressure plate with quick connect terminal

Base: Thermoplastic

Clips: Bright tin-plated bronze

UL Flammability: 94V-0

Ratings: 600 VAC, 30 Amps

Agency Approvals

- UL listed to 512, Guide IZLT, File 14853
- CSA C22.2 No. 39 Class 6225-01, File LR47235
- CE Compliant

BC Series Fuseblocks					
Part Number	Amps	Poles	AWG	Pcs/Pkg	Wt. (lbs.)
BC6031PQ	0.1 to 30	1	18 - 8	10	0.1
BC6032PQ		2		8	0.16
BC6033PQ		3		6	0.22

CROSS REFERENCE				
EDISON	OLD EDISON	BUSSMANN	GOULD	LITTELFUSE
BC6031PQ	EMR631-77	BC6031PQ	30321R	L60030C-1PQ
BC6032PQ	EMR632-77	BC6032PQ	30322R	L60030C-2PQ
BC6033PQ	EMR633-77	BC6033PQ	30323R	L60030C-3PQ

Description

These panel-mount fuse blocks are for use with any 13/32" x 1-1/2" Class M Fuses (Edison MCL, MEQ, MEN and MOL).



Specifications

Terminal type: Pressure plate with quick connect terminal

Base: Thermoplastic

Clips: Bright tin-plated bronze

UL Flammability: 94V-0

Ratings: 600 VAC, 30 Amps

Agency Approvals

- UL Recognized to 512, Guide IZLT2, File E14853
- CSA C22.2, No.39, Class 6225-01, File 47235

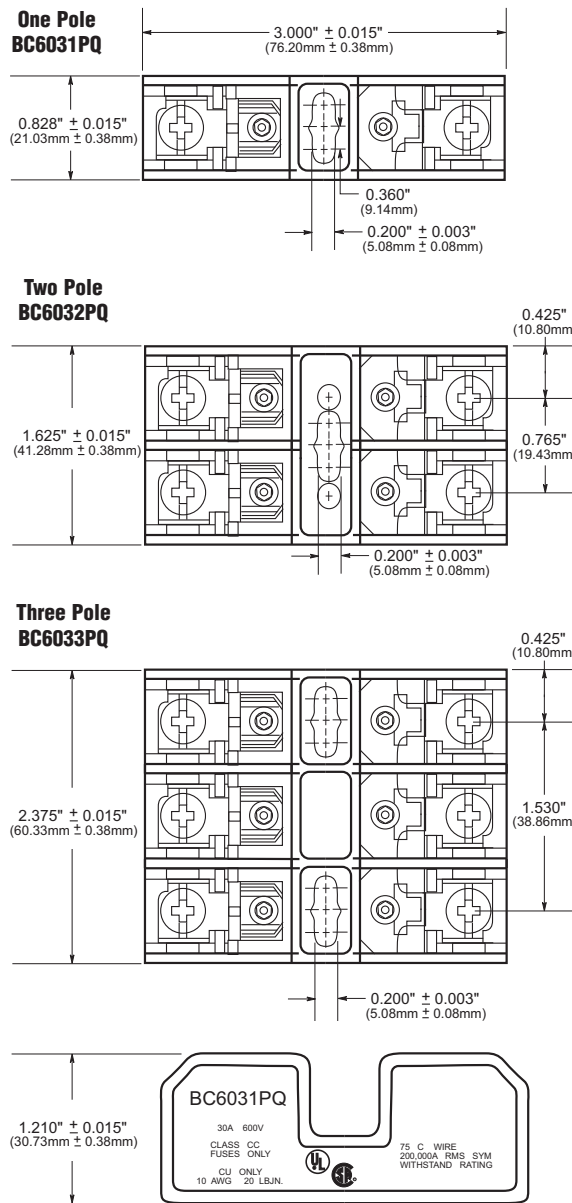
BM Series Fuseblocks					
Part Number	Amps	Poles	AWG	Pcs/Pkg	Wt. (lbs.)
BM6031PQ	0.1 to 30	1	18 - 8	10	0.1
BM6032PQ		2		8	0.16
BM6033PQ		3		6	0.22

CROSS REFERENCE				
EDISON	OLD EDISON	BUSSMANN	GOULD	LITTELFUSE
BM6031PQ	EM631-44	BM6031PQ	30321	L60030M-1PQ
BM6032PQ	EM632-44	BM6032PQ	30322	L60030M-2PQ
BM6033PQ	EM633-44	BM6033PQ	30323	L60030M-3PQ

Edison Fuses – Fuse Block Dimensions

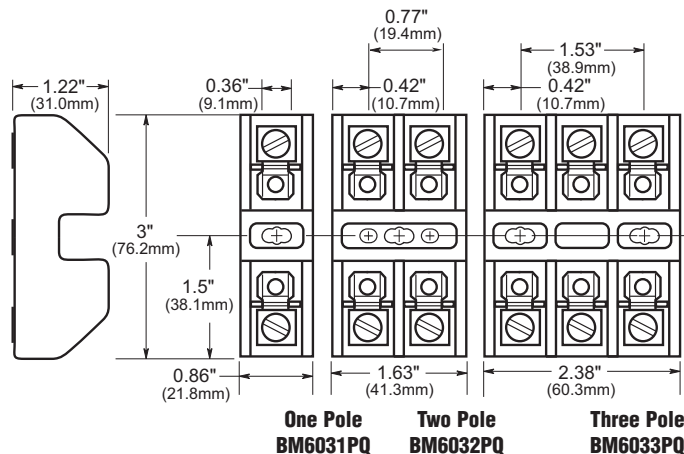
CC Class Dimensions -

inches(mm)



M Class Dimensions

inches(mm)



Edison Fuses – Accessories



FP-2

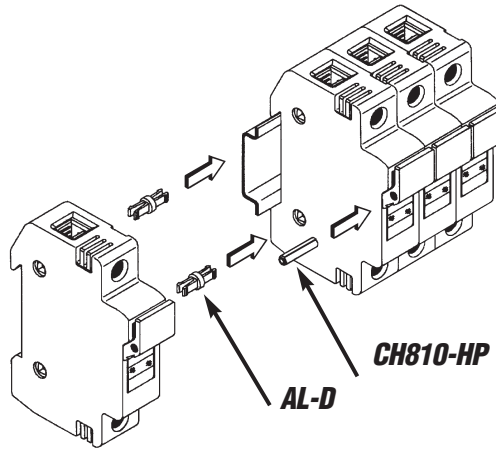


AL-D



CH810-HP

Accessories			
Part Number	Description	Pcs/Pkg	
FP-2	Fuse puller for fuse dia. 13/32" - 13/16". Fuse type: 0-60A, 250V; 0-30A, 600V	1	
AL-D	Plastic connection link for connecting 2 poles of CHM or CHCC holders. 2 links required per connection.	12	
CH810-HP	Metal handle pins for connecting 2 poles of CHM or CHCC holders. 1 pin required per connection.	12	



Edison Cross Reference Guide

CROSS REFERENCE GUIDE By manufacturers type reference or series number. Ampere ratings must be added for ordering purposes.								
		VOLT	EDISON	BRUSH/ DORMAN	BUSSMANN	FERRAZ GOULD	GEC/CEFCO	LITTELFUSE
UL CLASS CURRENT LIMITING FUSES (CSA CLASS)								
CC (HRCL-CC)	Time-Delay	600	EDCC		LP-CC	ATDR		CCMR
	Time-Delay	600	HCTR		FNQ-R	ATQR		KLDR
	Fast-Acting	600	HCLR	HCLR	KTK-R	ATMR	CTK-R	KLKR
	Time-Delay RK1 Dual Element	250	LENRK		LPN-RK-SP	A2DR		LLNRK
		600	LENSK		LPS-RK-SP	A6DR		LLSRK
	Time-Delay RK5 Dual Element	250	ECNR		FRN-R	TR		FLNR
		600	ECSR		FRS-R	TRS		FLSR
Time-Delay J Dual Element	600	JDL		LPJ	AJT		JTD	
UL CLASS GENERAL PURPOSE FUSES								
Midget	Fast-Acting	600	EBS	EBS	BBS	SBS		BLS
		600	MCL	MCL	KTK	ATM	CTK	KLK
		250	MOL	MOL	BAF/BAN	OTM		BLF
	Time-Delay	500	MEQ	MEQ	FNQ	ATQ		FLQ
250		MEN	MEN	FNM	TRM		FLM	
1/4"x1/4" Ceramic	Fast-Acting	250/125	ABC	ABC	ABC	GAB		314
1/4"x1/4" Glass		250/32	AGC	AGC	AGC	GGC		312
1/4"x1/4" Ceramic	Time-Delay	250	MDA	MDA	MDA	none		326
1/4"x1/4" Glass		250/32	MDL	MDL	MDL	GDL		313
5x20 mm Glass	Fast-Acting	250/125	GMA	GMA	GMA	GGM		235
	Medium Time-Delay	250/125	GMC	GMC	GMC	GSC		none
5x20 mm Glass	Fast-Acting	250	S500	BDB	GDB	GSB		217
	Time-Delay	250	S506	BDC	GDC	GDG		218
Fuse Puller								
Fuse Puller FP-2			old - 38072 new - FP-2		FP-2			

CROSS REFERENCE GUIDE By manufacturers type reference or series number. Ampere ratings must be added for ordering purposes.									
		VOLT	EDISON	BRUSH/ DORMAN	BUSSMANN	FERRAZ	GEC/CEFCO	GOULD	LITTELFUSE
UL CLASS CURRENT LIMITING FUSES (CSA CLASS)									
CC (HRCI-CC)	Time-Delay	600	EDCC	—	LP-CC	ATDR	—	ATDR	CCMR
	Time-Delay	600	HCTR	—	FNQ-R	ATQR	—	ATQR	KLDR
	Fast-Acting	600	HCLR	HCLR	KTK-R	ATMR	CTK-R	ATMR	KLKR
UL CLASS GENERAL PURPOSE FUSES									
Midget	Fast-Acting	600	EBS	EBS	BBS	SBS	—	SBS	BLS
		600	MCL	MCL	KTK	ATM	CTK	ATM	KLK
		250	MOL	MOL	BAF/BAN	OTM	—	OTM	BLF
Midget	Time-Delay	500	MEQ	MEQ	FNQ	ATQ	—	ATQ	FLQ
		250	MEN	MEN	FNM	TRM	—	TRM	FLM
Fuse Puller									
Fuse Puller FP-2			old - 38072 new - FP-2		FP-2				

Specification	781 Series	782 Series	783 Series	784 Series
Coil Voltages	110/120VAC, 220VAC, 24VAC, 24VDC	110/120VAC, 220VAC, 24VAC, 24VDC	110/120VAC, 220VAC, 24VAC, 24VDC	110/120VAC, 220VAC, 24VAC, 24VDC
Configuration	1PDT	2PDT	3PDT	4PDT
Contact Rating	15A	15A	15A	15A
Base Socket	5 pin spade terminal	8 pin spade terminal	11 pin spade terminal	14 pin spade terminal
Agency Approvals	UL Recognized (E43641), CE Approval pending, CSA 97899	UL Recognized (E43641), CE Approval pending, CSA Approval pending	UL Recognized (E70550), CE Approval IEC Std 947-4-1 and 947-5-1, CSA 40787	UL Recognized (E43641), CE Approval pending, CSA Approval pending