

DINnectors Accessories

DIN rail

35 mm wide

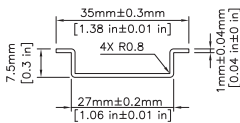
These quality DIN rails are provided in one-meter lengths and two heights, 7.5 mm and 15 mm. The 7.5 mm-high rails are primarily used to mount terminal blocks, relays, timers and small PLCs such as the DL05, DL06, DL105, DL205, CLICK, and Productivity3000.

The 15 mm-high rails are for mounting larger and heavier components such as contactors and larger PLCs.

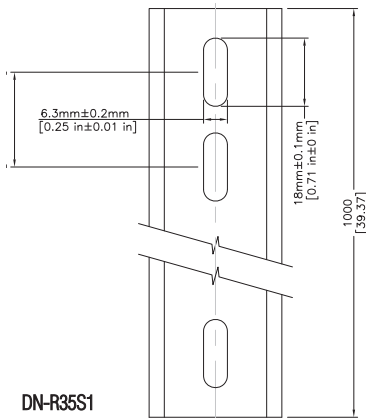
15 mm wide

The one-meter-long type DN-R15S1 DIN rail is used exclusively for mounting mini terminal blocks such as the DN-M10-A.

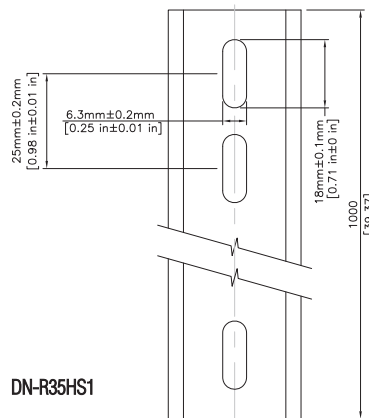
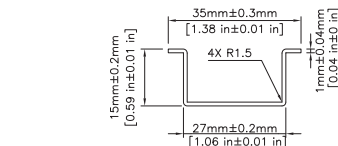
Dimensions



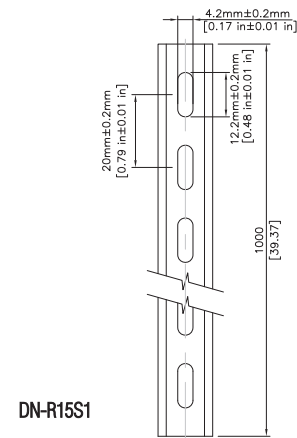
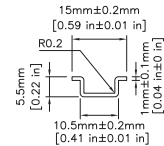
	Part Number	Pcs/Pkg	Price/Pkg	Part#	Pcs/Pkg	Price/Pkg	Part Number	Pcs/Pkg	Price/Pkg
DIN Rail	DN-R35S1	10	<--->	DN-R35HS1	10	<--->	DN-R15S1	10	<--->
	DN-R35S1-2	2	<--->	DN-R35HS1-2	2	<--->	DN-R15S1-2	2	<--->
DINnectors Accessories Specifications									
Description	Steel, slotted, 3'3" (1m) length, 7.5mm high			Steel, slotted, 3'3" (1m) length, 15mm high			Steel, slotted, 3'3" (1m) length, 5.5mm high		
Plating	silver-colored plating								
International Standards	CENELEC EN 50022, DIN 46277/3, RoHS			RoHS			CENELEC EN 50045, DIN 46277/2, RoHS		
Approximate Ampacity	65 Amps			125 Amps			35 Amps		
Suggested Mounting Screw Type	M6			M6			M4		



DN-R35S1



DN-R35HS1



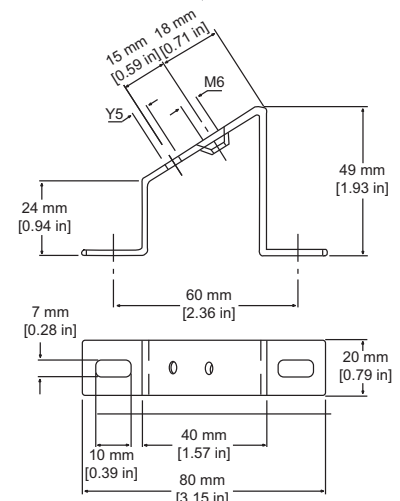
DN-R15S1

Angled support bracket

DN-ASB1 plated steel support brackets raise and tilt mounting rails for easier wiring.

Part Number	Pcs/Pkg	Price Each
DN-ASB1	50	<--->
*Uses M6x1 metric fixing screw for mounting DIN rail to bracket; additional 5 mm unthreaded mounting hole available.		

DN-ASB1



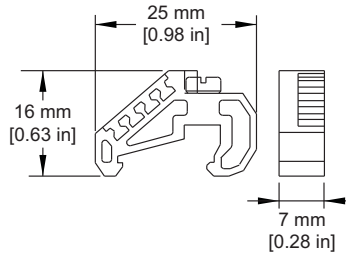
DINnectors Accessories

End Brackets

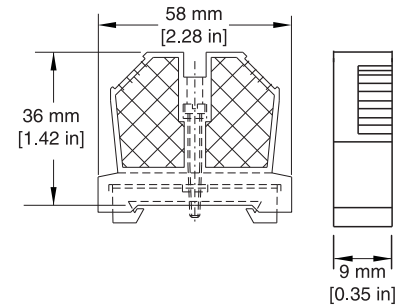
The DN-EB15 end brackets mount on 15 mm DIN rail, and DN-(Q)EB35(-A) end brackets are designed to mount on 35 mm DIN rail. End brackets are used to prevent components from sliding along the rail.

Part Number	Description	Pcs/Pkg	Price/Pkg
DN-EB15	Terminal block end stop 7mm width screw clamping. Gray	100	<--->
DN-EB15MN		20	<--->
DN-EB35	Terminal block end stop 9mm width screw clamping. Gray	50	<--->
DN-EB35MN		20	<--->
DN-EB35-A	Terminal block end stop 6mm width screw clamping. Black	50	<--->
DN-EB35-A-10		10	<--->
DN-QEB35	Terminal block end stop 6mm width screwless clamping. Black	50	<--->
DN-QEB35-10		10	<--->

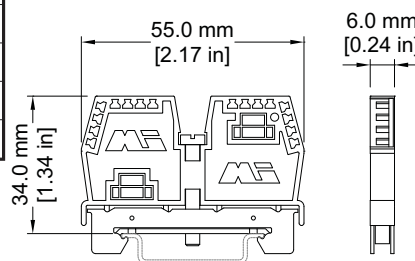
DN-EB15



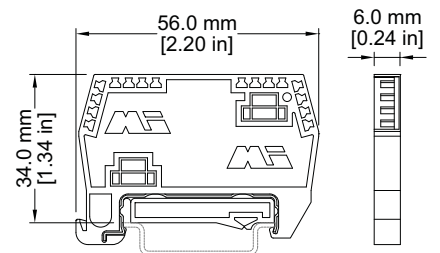
DN-EB35



DN-EB35-A



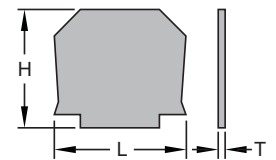
DN-QEB35



End Covers & Spacers

Certain end covers can be used with multiple terminal block parts to cover and insulate the open side, or to put more space between adjacent blocks.

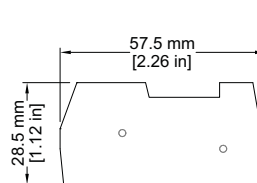
Part Number	Length	Height	Thickness
DN-EC1210	44 mm [1.73 in]	35 mm [1.38 in]	1.5 mm [0.06 in]
DN-EC1210MN			
DN-EC86	50 mm [1.97 in]	43 mm [1.69 in]	1.5 mm [0.06 in]
DN-EC86MN			



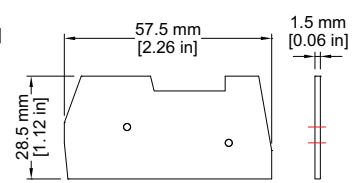
Part Number	Purpose	For TBs:	Pcs/Pkg	Price/Pkg
DN-EC1210	covers open side of TB	DN-T10-A	100	<--->
DN-EC1210MN	covers open side of TB	DN-T12-A	25	<--->
DN-EC86	covers open side of TB	DN-T8	100	<--->
DN-EC86MN	covers open side of TB	DN-T6	25	<--->
DN-EMXM1EC1	covers open side of TB	DN-EMXM1 DN-QEMXM1	25	<--->
DN-EMXM1EC2	covers closed side of TB			<--->
DN-EMXM1SPA1	spacer for either side of TB			<--->
DN-EMXDVEC1	covers open side of TB	DN-EMXDV DN-QEMXDV	25	<--->
DN-EMXDVEC2	covers closed side of TB			<--->
DN-EMXDVSPA1	spacer for either side of TB			<--->
DN-FESEP	covers open side of TB	DN-FEx DN-DISx	50	<--->
DN-FESEP-10	covers open side of TB		10	<--->
DN-FESPA	wider cover open side of TB		50	<--->
DN-FESPA-10	wider cover open side of TB		10	<--->

Note: End covers for DN-M10-A, DN-T4 and DN-KBD12 are found in their respective Accessories table.

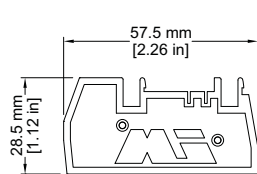
DN-EMXM1EC1



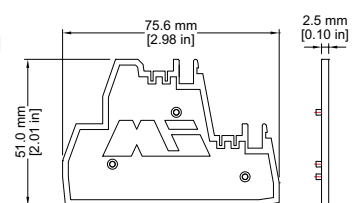
DN-EMXM1EC2



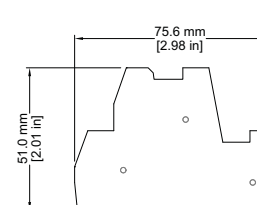
DN-EMXM1SPA1



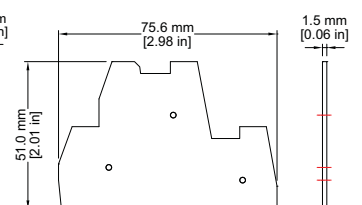
DN-EMXDVSPA1



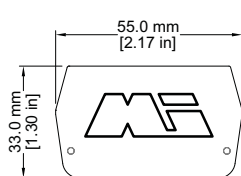
DN-EMDVEC1



DN-EMDVEC2



DN-FESEP



DN-FESEPA

