

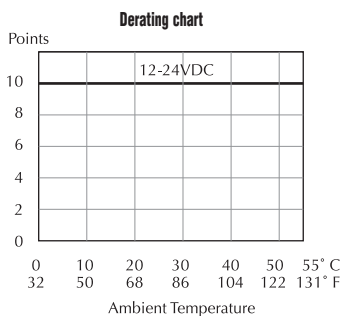
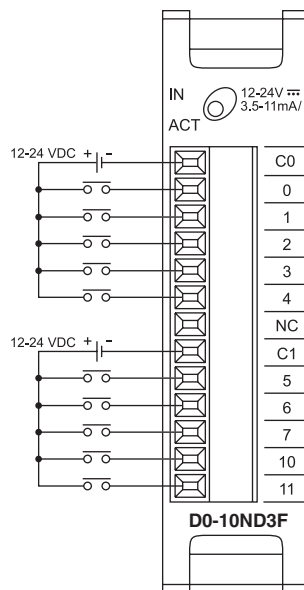
DL05/06 I/O Option Modules

D0-10ND3F

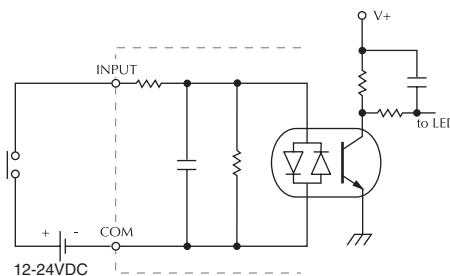


10-point DC fast input module

D0-10ND3F Input Specifications	
Number of Inputs	10 (sink/source)
Input Voltage Range	10.8-26.4 VDC
Peak Voltage	30.0 VDC
Input Current	Typical: 4.0 mA @ 12 VDC 8.5 mA @ 24 VDC
Maximum Input Current	11 mA @ 26.4 VDC
Input Impedance	2.8 K Ω @ 12-24 VDC
On Voltage Level	> 10.0 VDC
Off Voltage Level	< 2.0 VDC
Minimum ON Current	3.5 mA
Minimum OFF Current	0.5 mA
Off to On Response	2 ms, Typ. 1 ms
On to Off Response	2 ms, Typ. 1 ms
Status Indicators	Module activity: one green LED
Commons	2 (5 pts/common) isolated
Fuse	No fuse
Base Power Required (5V)	Typical. 35 mA (all pts. on)



Equivalent input circuit



NOTE: The DL05 CPU's discrete feature for this module requires **DirectSOFT** Version 3.0c (or later) and firmware version 4.70 (or later). The DL06 requires **DirectSOFT** version V4.0, build 16 (or later) and firmware version 1.50 (or later). See our website for more information: www.automationdirect.com.