

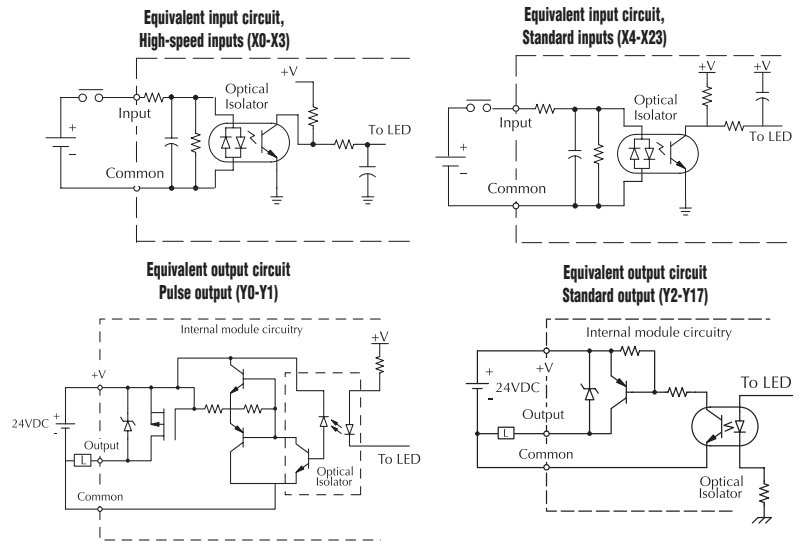
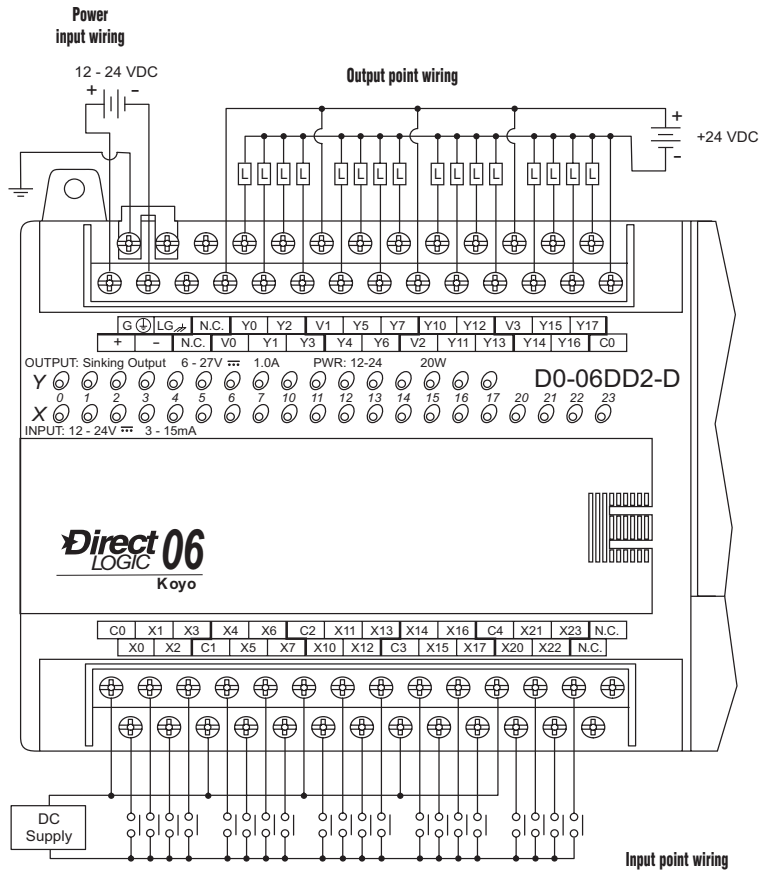
DL06 I/O Specifications

D0-06DD2-D <--->

Wiring diagram and specifications

D0-06DD2-D Specifications			
DC Power Supply Specifications	Voltage Range	12-24VDC (15W)	
	Number of Input Pts.	20 (sink/source)	
	Number of Commons	5 (isolated)	
	Input Voltage Range	12-24VDC	
	Input Impedance	(X0-X3)	1.8K @ 12-24VDC
		(X4-X23)	2.8K @ 12-24VDC
	On Current/Voltage Level	5mA/>10VDC	
	OFF Current/Voltage Level	0.5mA/<2VDC	
	Response Time	X0-X3	X4-X23
	OFF to ON Response	<70µS	2-8mS Typ. 4mS
ON to OFF Response	<70µS	2-8mS Typ. 4mS	
Fuses	None		
DC Output Specifications	Number of Output Points	16 (sourcing)	
	Number of Commons	4 isolated	
	Output Voltage Range	10.8-26.4VDC	
	Peak Voltage	30VDC	
	Max. Frequency (Y0, Y1)	10kHz	
	ON Voltage Drop	0.5VDC @ 1A (Y0-Y1)	1.2VDC @ 1A (Y2-Y17)
	Maximum Current	0.5A / point (Y0-Y1)*	1.0A / point (Y2-Y17)
	Maximum Leakage Current	15µ @ 30VDC	
	Maximum Inrush Current	2A for 100ms	
	OFF to ON Response	<10µS	
	ON to OFF Response	<20µS (Y0-Y1)	<0.50mS (Y2-Y17)
	External DC Power Required	N/A	
	Status Indicators	Logic side	
	Fuses	None (external recommended)	

*When Y0-Y1 are not used for pulse outputs, maximum current output is 1.0A.



Derating chart for DC outputs

