

DL06 I/O Specifications

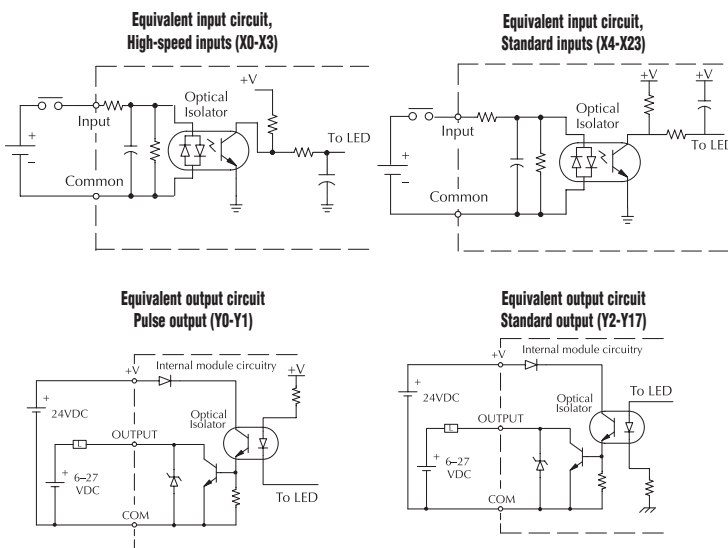
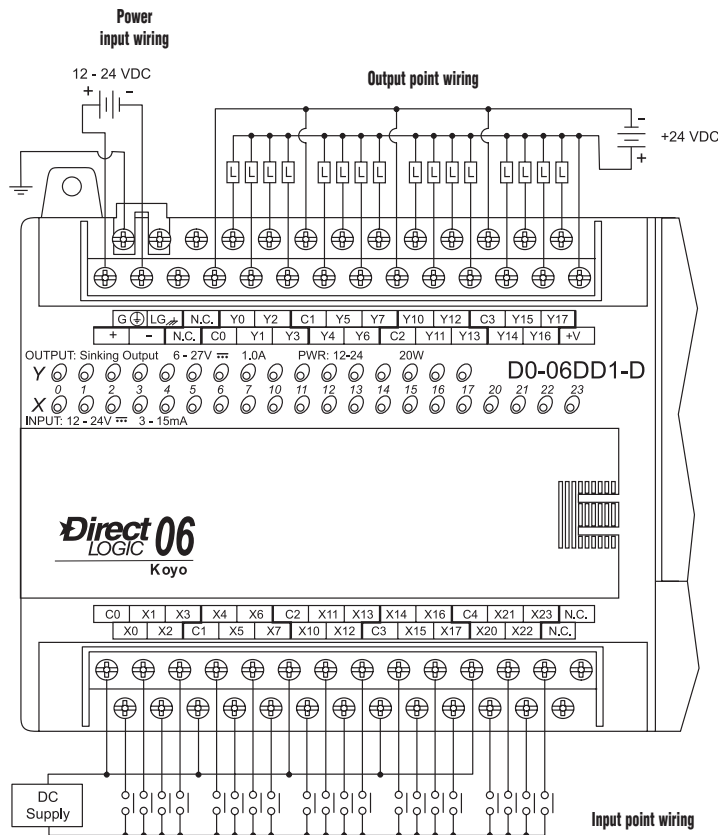
PLC Overview

DL05/06 PLC

D0-06DD1-D <--->

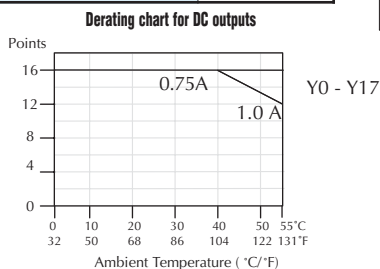
Wiring diagram and specifications

D0-06DD1-D Specifications			
DC Power Supply Specifications	Voltage Range	12-24VDC (15W)	
	Number of Input Pts.	20 (sink/source)	
	Number of Commons	5 (isolated)	
	Input Voltage Range	12-24VDC	
	Input Impedance	(X0-X3) 1.8K @ 12-24VDC	
		(X4-X23) 2.8K @ 12-24VDC	
	On Current/Voltage Level	>5mA/10VDC	
	OFF Current/Voltage Level	<0.5mA/<2VDC	
	Response Time	X0-X3 X4-X23	
	OFF to ON Response	<100µs <8ms	
	ON to OFF Response	<100µs <8ms	
	Fuses	None	
DC Input Specifications	Number of Output Points	16 (sinking)	
	Number of Commons	4 isolated	
	Output Voltage Range	6-27VDC	
	Peak Voltage	50VDC	
	Max. Frequency (Y0, Y1)	7kHz	
	ON Voltage Drop	0.3VDC @ 1A	
	Maximum Current	0.5A / point (Y0-Y1)*	
		1.0A / point (Y2-Y17)**	
	Maximum Leakage Current	15µA @ 30VDC	
	Maximum Inrush Current	2A for 100ms	
	OFF to ON Response	<10µs	
	ON to OFF Response	<20µs (Y0-Y1) <60µs (Y2-Y17)	
	External DC Power Required	20-28VDC 150mA max.	
	Status Indicators	Logic side	
	Fuses	None (external recommended)	



*When Y0-Y1 are not used for pulse outputs, maximum current output is 1.0A**.

** These outputs must be derated to 0.6A for EN61131-2 compliance.



DL105 PLC

DL205 PLC

DL305 PLC

DL405 PLC

Field I/O

Software

C-more HMI

Other HMI

AC Drives

Motors

Steppers/Servos

Motor Controls

Proximity Sensors

Photo Sensors

Limit Switches

Encoders

Pushbuttons/Lights

Process

Relays/Timers

Comm.

TB's & Wiring

Power

Enclosures

Appendix

Part Index