

DL06 I/O Specifications

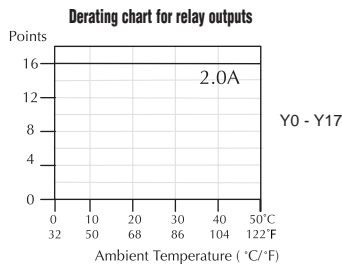
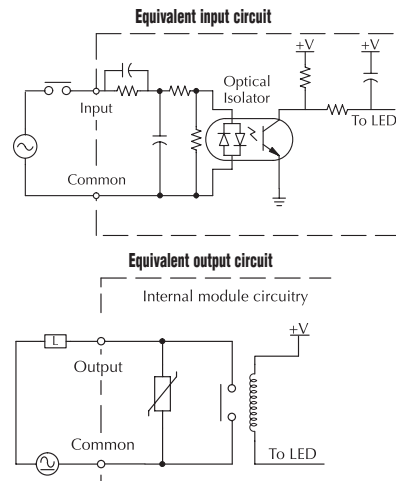
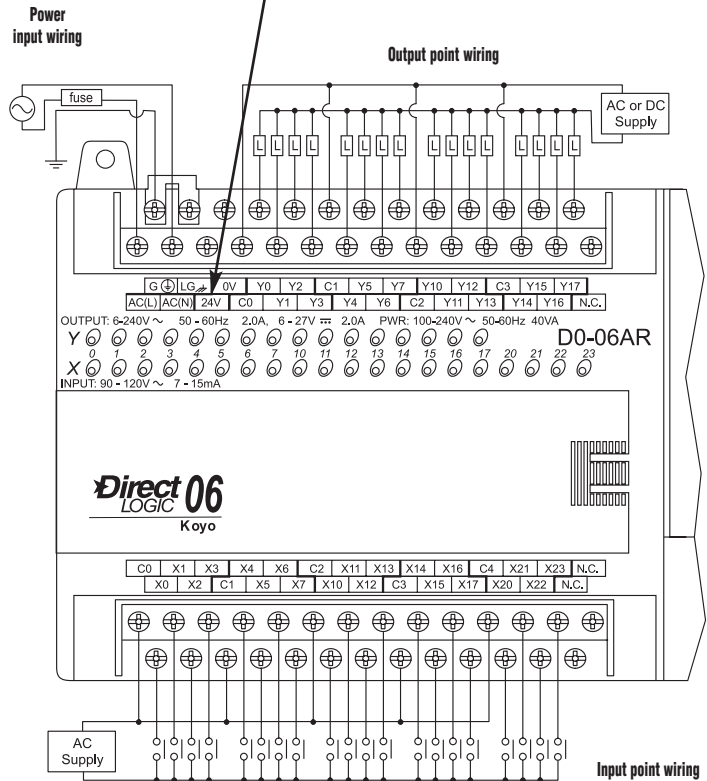
D0-06AR



Wiring diagram and specifications

D0-06AR Specifications		
AC Power Supply Specifications	Voltage Range	95-240VAC (30VA)
	Number of Input Pts.	20
	Number of Commons	5 (isolated)
	Input Voltage Range	90-120VAC
	Frequency Range	47-63Hz
	Input Current	8mA @ 100 VAC at 50 Hz 10mA @ 100 VAC at 60Hz
	On Current/ Voltage Level	>6mA/75VAC
	OFF Current/ Voltage Level	<2mA/20VAC
	OFF to ON Response	<40ms
	ON to OFF Response	<40ms
Fuses	None	
AC Input Specifications	Number of Output Points	16
	Number of Commons	4 (isolated)
	Output Voltage Range	6-240VAC, 47-63Hz 6-27VDC
	Maximum Voltage	264VAC, 30VDC
	Maximum Current	2A/point 6A/common
	Maximum Leakage Current	0.1mA @ 246VAC
	Smallest Recommended Load	5mA @ 5VDC
	OFF to ON Response	<15ms
	ON to OFF Response	<10ms
	Status Indicators	Logic side
Fuses	None (external recommended)	
Relay Output Specifications	Number of Output Points	16
	Number of Commons	4 (isolated)
	Output Voltage Range	6-240VAC, 47-63Hz 6-27VDC
	Maximum Voltage	264VAC, 30VDC
	Maximum Current	2A/point 6A/common
	Maximum Leakage Current	0.1mA @ 246VAC
	Smallest Recommended Load	5mA @ 5VDC
	OFF to ON Response	<15ms
	ON to OFF Response	<10ms
	Status Indicators	Logic side
Fuses	None (external recommended)	

Note: Refer to page 2-29, Power Budgeting, for Auxillary 24VDC current available.



Typical Relay Life (Operations) at Room Temperature		
Voltage and Type of Load	Load Current	
	At 1A	At 2A
24 VDC Resistive	500K	250K
24 VDC Inductive	100K	50K
110 VAC Resistive	500K	250K
110 VAC Inductive	200K	100K
220 VAC Resistive	350K	200K
220 VAC Inductive	100K	50K