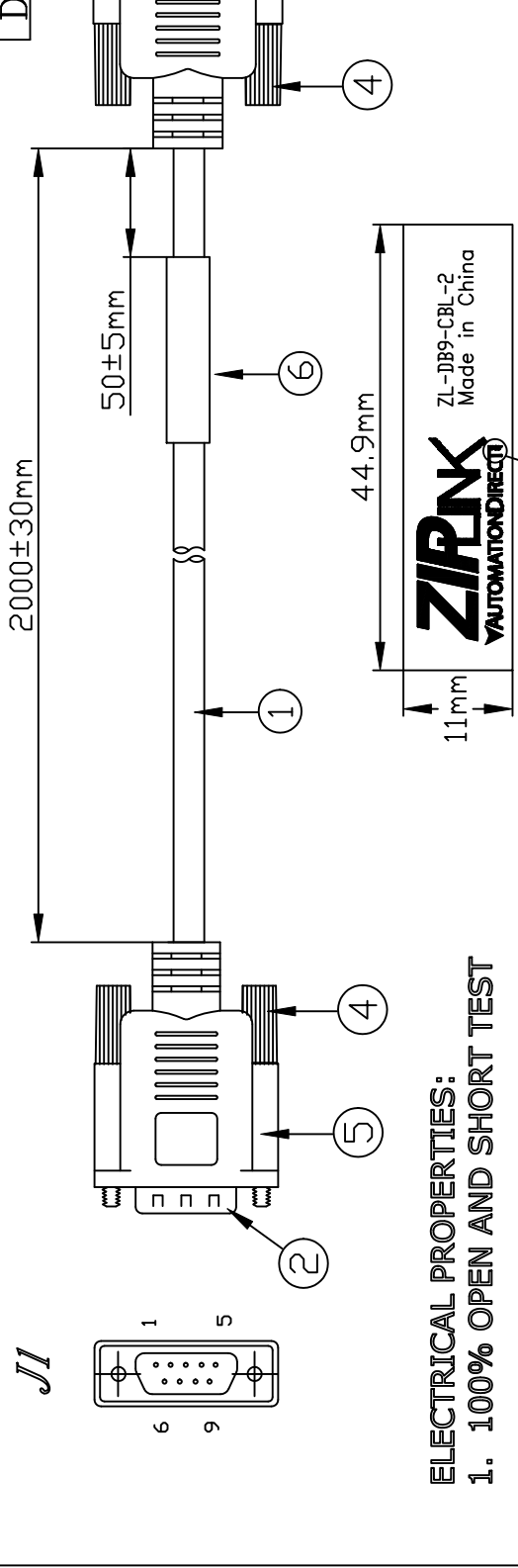


REVISION LIST	
REV	DESCRIPTION
A	INITIAL RELEASE OF DWG
B	ADDED OPEN/SHORT TEST
C	ADD LABEL&LENGTH
D	CHG. CUST. PART NO.

DATE
AUG.03.2007
DEC.08.2007
JAN.22.2008
APR.01.2008

RDHS	????	PRODUCT WEIGHT:
------	------	-----------------



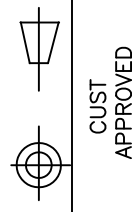
ELECTRICAL PROPERTIES:
1. 100% OPEN AND SHORT TEST

BILL OF MATERIAL

⑥	LABEL+UL CLEAR HEAT SHRINK TUBE(OD6.0mm,L:50mm)	1PCS	CC017
⑤	45P PVC,BLACK COLOR	32.0g	CC002
④	THUMB SCREW: UNC#4-40, AD4*24.0 BLACK COLOR MOLDING.	4 pcs	CC008
③	D-SUB 9P FEMALE SOLDERING TYPE. INSULATION: PBT, BLACK COLOR. CONTACT: BRASS, GOLD FLASH.	1 pc	CB001
②	D-SUB 9P MALE SOLDERING TYPE. INSULATION: PBT, BLACK COLOR. CONTACT: BRASS, GOLD FLASH.	1 pc	CB001
①	UL2464 28AWG*9C+AE. CABLE OD:5.0mm, JACKET BLACK COLOR.	2086mm	CA003
ND.	SPECIFICATION	Q'TY	VENDOR
DRAWN BY	??	CHECK BY	APPROVED BY

MOLD DESIGN LIST:
J1 & J2:
 DW163(OUT)
 DW005(IN)

TOLERANCE:	SCALE:
.XX= .XXX=	NONE
UNIT: mm	

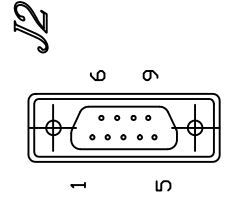


*** PINOUT DIAGRAM ***

J1

- 1 _____
 - 2 _____
 - 3 _____
 - 4 _____
 - 5 _____
 - 6 _____
 - 7 _____
 - 8 _____
 - 9 _____
- SHELL _____ DRAIN _____ SHELL

J2



MATCH Data International Co.,Ltd

DWG NO:	SC01A040023	REF NO:		REV:	D
CUST NO:	ZL-DB9-CBL-2	CKC01708007			
TITLE :	DB9M/DB9F	SHEET:	1 OF 1		