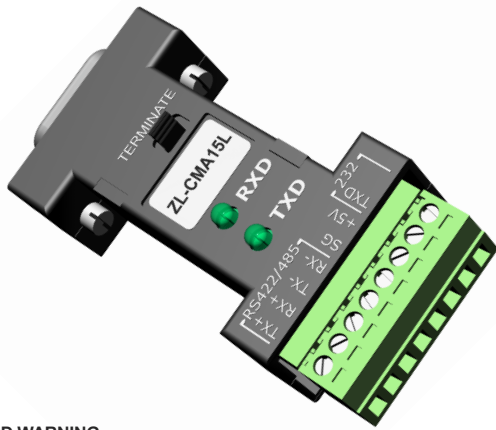


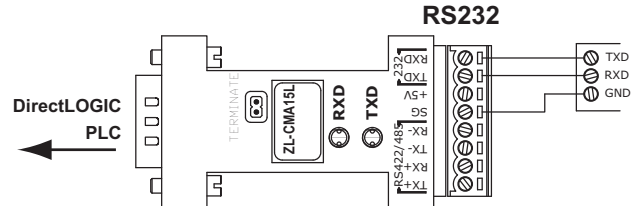
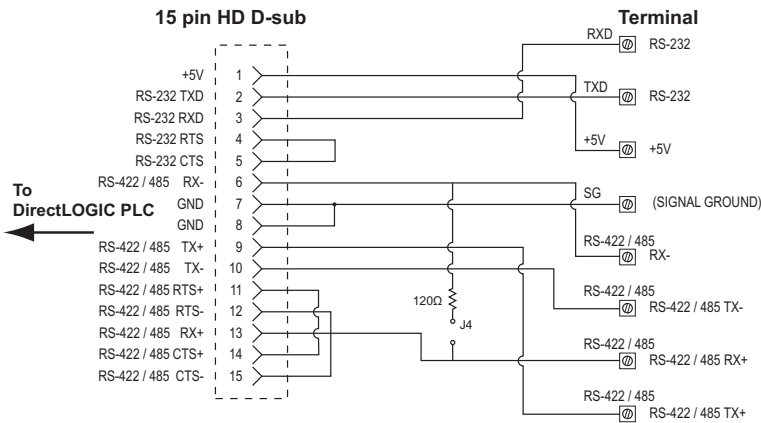
# Communications Port Adapter with Surge Protection and Comm Status Indication Installation Instructions

## ZL-CMA15L

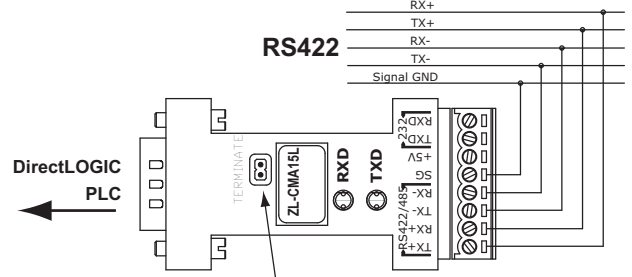


### HAZARD WARNING

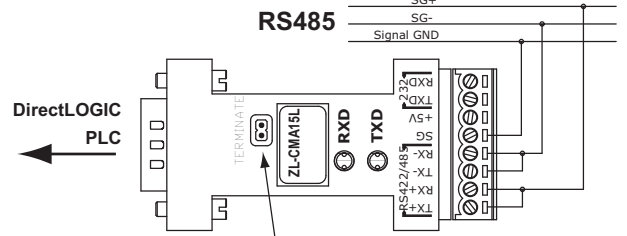
- A. THIS EQUIPMENT IS SUITABLE FOR USE IN CLASS I, DIVISION 2/ZONE 2, GROUPS A, B, C AND D OR NON-HAZARDOUS LOCATIONS ONLY.
- B. **WARNING – EXPLOSION HAZARD** – SUBSTITUTION OF COMPONENTS MAY IMPAIR SUITABILITY FOR CLASS I, DIVISION 2/ZONE 2.
- C. **WARNING – EXPLOSION HAZARD** – DO NOT CONNECT OR DISCONNECT CONNECTORS OR OPERATE SWITCHES WHILE CIRCUIT IS LIVE UNLESS THE AREA IS KNOWN TO BE NON-HAZARDOUS.



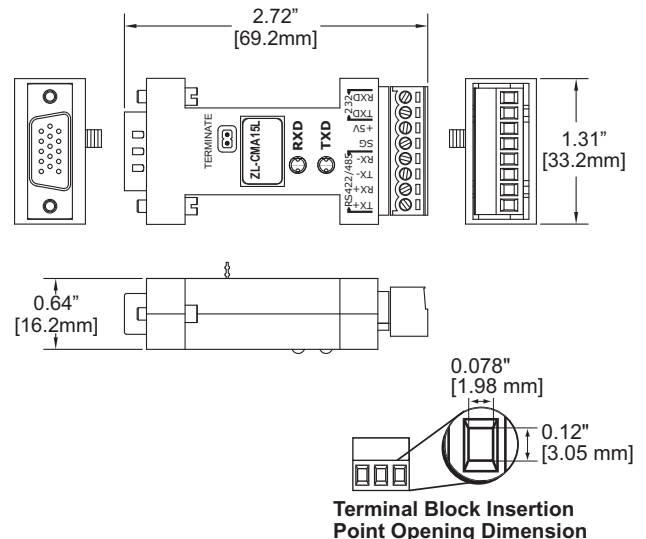
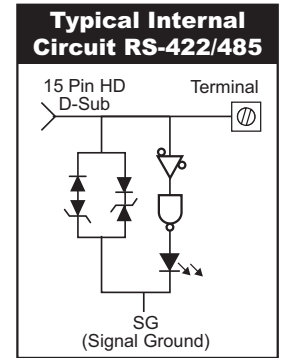
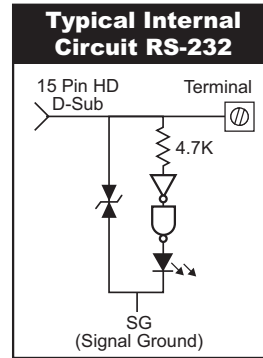
Note: Pin 4 (RTS) & Pin 5 (CTS) are internally jumpered together.



Note: 120Ω termination resistor must be jumpered when installed at either end of a network. Remove jumper for all other connections.

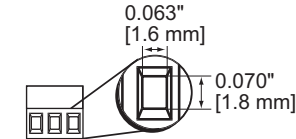


Note: 120Ω termination resistor must be jumpered when installed at either end of a network. Remove jumper for all other connections.

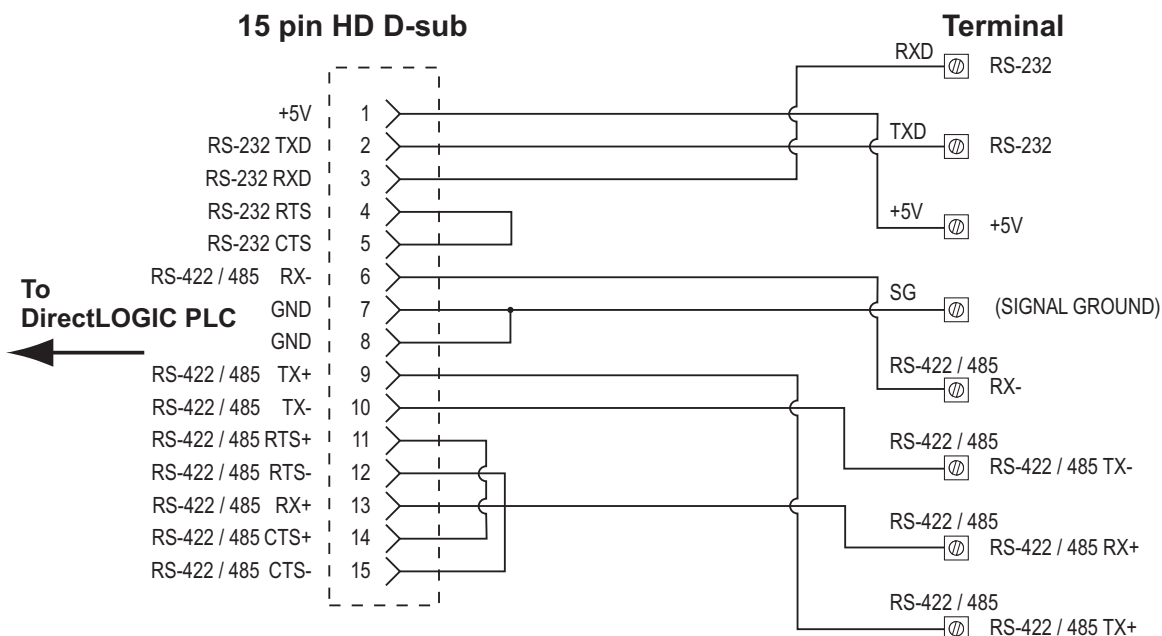
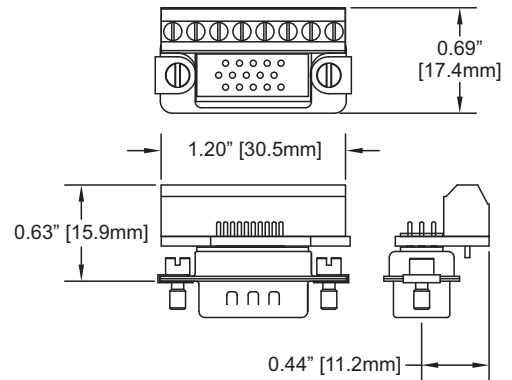


Specifications									
<b>Description</b>	DL06, D2-250-1 and D2-260 PLC Port 2 adapter: HD 15-pin D-sub to terminal block								
<b>Approvals*</b>	File # E200031 Approved for use in Class 1 Division 2, Groups A, B, C, D Hazardous Locations, CE, EN 61131-2:2007								
<b>Communications Interface</b>	RS232, RS422, RS485								
<b>Indication Transmit Data</b>	Green LED								
<b>Indication Receive Data</b>	Green LED								
<b>RS232 Surge Protection</b>	2 Circuits clamped by zener transient voltage suppressors								
<b>RS422/485 Surge Protection</b>	4 Circuits clamped by low capacitance zener diodes								
<b>RS422/485 Network Termination Resistor</b>	Jumper Selectable 120Ω								
<b>Voltage Rating*</b>	30VDC								
<b>Maximum Current per Circuit</b>	1A								
<b>Supported Signal Lines</b>	<table border="0"> <tr> <td>RS-422/485 TXD+</td> <td>RS-422/485 TXD-</td> </tr> <tr> <td>RS-422/485 RXD+</td> <td>RS-422/485 RXD-</td> </tr> <tr> <td>RS-232 TXD</td> <td>RS-232 RXD</td> </tr> <tr> <td>+5VDC PWR</td> <td>Ground</td> </tr> </table>	RS-422/485 TXD+	RS-422/485 TXD-	RS-422/485 RXD+	RS-422/485 RXD-	RS-232 TXD	RS-232 RXD	+5VDC PWR	Ground
RS-422/485 TXD+	RS-422/485 TXD-								
RS-422/485 RXD+	RS-422/485 RXD-								
RS-232 TXD	RS-232 RXD								
+5VDC PWR	Ground								
<b>Terminal Block Contacts</b>	Copper alloy, tin-lead plating								
<b>Wire Range (Rated Cross Section)*</b>	16-28AWG Solid or Stranded Conductor (1.5mm <sup>2</sup> )								
<b>Wire Strip Length</b>	0.24-0.27" (6-7mm)								
<b>Screw Torque</b>	1.7 in-lbs (0.2 Nm)								
<b>Surrounding Temperature Range</b>	32 to 140°F (0 to 60°C)								
<b>Dimensions (WxHxD)</b>	1.31" x 0.64" x 2.72" (33.2 x 16.2 x 69.2 mm)								

\*Use Class 2 Power Supply. Use conductors rated 60°/75°C.



**Terminal Block Insertion  
Point Opening Dimension**



**WARNING:** To minimize the risk of potential safety problems, you should follow all applicable local and national codes that regulate the installation and operation of your equipment. These codes vary from area to area and it is your responsibility to determine which codes should be followed, and to verify that the equipment, installation, and operation are in compliance with the latest revision of these codes.

Equipment damage or serious injury to personnel can result from the failure to follow all applicable codes and standards. We do not guarantee the products described in this publication are suitable for your particular application, nor do we assume any responsibility for your product design, installation, or operation.

If you have any questions concerning the installation or operation of this equipment, or if you need additional information, please call Technical Support at 01737 824606.

This publication is based on information that was available at the time it was printed. At AutomationDirect.com we constantly strive to improve our products and services, so we reserve the right to make changes to the products and/or publications at any time without notice and without any obligation. This publication may also discuss features that may not be available in certain revisions of the product.

## Specifications

<b>Description</b>	DL06, D2-250-1 and D2-260 PLC Port 2 adapter: HD 15-pin D-sub to terminal block	
<b>Approvals*</b>	File # E200031 Approved for use in Class 1 Division 2, Groups A, B, C, D Hazardous Locations, CE, EN 61131-2:2007	
<b>Communications Interface</b>	RS232, RS422, RS485	
<b>Voltage Rating</b>	30VDC	
<b>Max. Current per Circuit</b>	1A	
<b>Supported Signal Lines</b>	RS-422/485 TXD+ RS-422/485 RXD+ RS-232 TXD +5VDC PWR	RS-422/485 TXD- RS-422/485 RXD- RS-232 RXD Ground
<b>Wire Range (Rated Cross Section)*</b>	16-30AWG Solid or Stranded Conductor (1.5mm <sup>2</sup> )	
<b>Wire Strip Length</b>	0.24-0.27" (6-7mm)	
<b>Screw Torque</b>	1.7 in-lbs (0.2 Nm)	
<b>Surrounding Temperature Range</b>	32 to 140°F (0 to 60°C)	
<b>Dimensions (WxHxD)</b>	1.20" x 0.69" x 0.63" (30.5mm x 17.4mm x 15.9mm)	

\*Use Class 2 Power Supply. Use conductors rated 60°/75°C.

### HAZARD WARNING

A. THIS EQUIPMENT IS SUITABLE FOR USE IN CLASS I, DIVISION 2/ZONE 2, GROUPS A, B, C AND D OR NON-HAZARDOUS LOCATIONS ONLY.

B. **WARNING – EXPLOSION HAZARD** – SUBSTITUTION OF COMPONENTS MAY IMPAIR SUITABILITY FOR CLASS I, DIVISION 2/ZONE 2.

C. **WARNING – EXPLOSION HAZARD** – DO NOT CONNECT OR DISCONNECT CONNECTORS OR OPERATE SWITCHES WHILE CIRCUIT IS LIVE UNLESS THE AREA IS KNOWN TO BE NON-HAZARDOUS.