

C-more 6" Micro-Graphic Panel Accessories

20-Button Keypad Bezel, Landscape Orientation

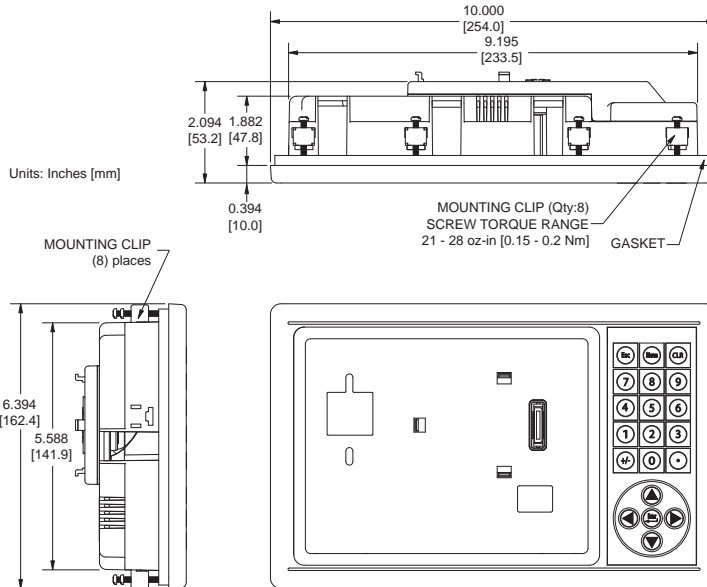
The 20-button keypad bezel is designed to be used with the **C-more 6"** Micro-Graphic panels. The keypad includes four directional arrow cursor buttons, a full numeric keypad, and one each of an ESCAPE, MENU, CLEAR and ENTER button. The keypad is intended to be used with the numeric entry object (Style 3) to allow changing of a value, and can also be used to navigate and select screen objects. The numeric buttons can be

used to enter a new value, or use the cursor left and right buttons to select a digit and the cursor up and down buttons to change the value, along with the ENTER and CLEAR buttons. It can also be used to access and navigate the screen selector feature. The 6" panels mount directly into the bezel; no panel configuration is required.

Part No. EA-MG6-BZ2



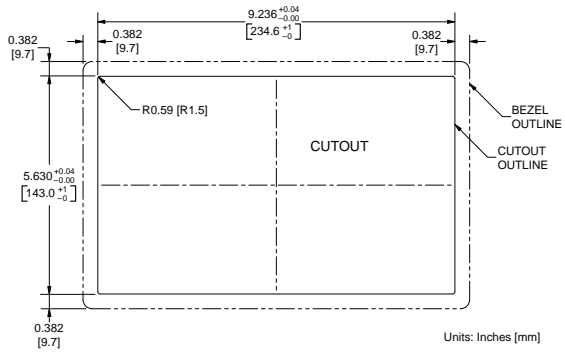
Dimensions



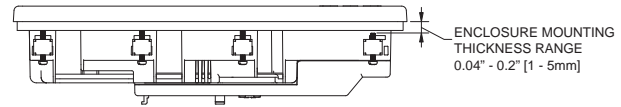
Four directional cursor buttons, numeric buttons and ESC, MENU, CLEAR and ENTER buttons.



Panel Cutout



Panel Thickness



20-Button Keypad Bezel Specifications	
Part Number	EA-MG6-BZ2
General	
• Micro-Graphic Panels Supported	EA-S6ML, EA-S6MLW
• Connection	Connects with expansion connector on the rear of the C-more 6" Micro-Graphic panel.
• Power Consumption	None
• Keypad Button Life	Minimum of 500,000 cycles
• Enclosure Mounting	(8) mounting clips, EA-MG-BZ2-BRK, included. Note: The C-more 6" Micro-Graphic panel is installed into the keypad bezel using the (4) mounting clips, EA-MG-BZ2-BRK, that are supplied with the panel.
Physical	
• Dimensions	10.000" (W) x 6.394" (H) x 2.488" (D) [254.0 mm x 162.4 mm x 63.2 mm]
• Weight	26.1 oz. [740 g]
Environmental:	See Micro-Graphic panel specifications at the beginning of this catalog section

- PLC Overview
- DL05/06 PLC
- DL105 PLC
- DL205 PLC
- DL305 PLC
- DL405 PLC
- Field I/O
- Software
- C-more HMIs**
- Other HMI
- AC Drives
- Motors
- Steppers/Servos
- Motor Controls
- Proximity Sensors
- Photo Sensors
- Limit Switches
- Encoders
- Current Sensors
- Pushbuttons/Lights
- Process
- Relays/Timers
- Comm.
- TB's & Wiring
- Power
- Circuit Protection
- Enclosures
- Appendix
- Part Index

C-more Micro-Graphic Panel Accessories

21-Button Keypad Bezel, Portrait Orientation

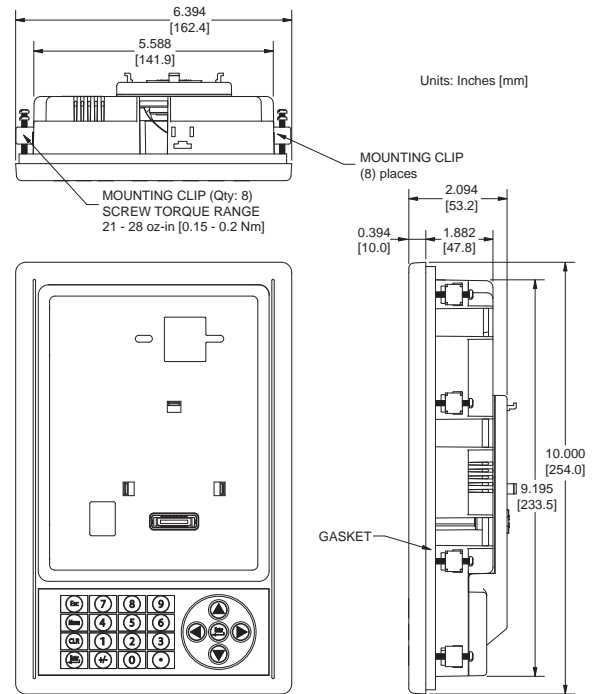
The 21-button keypad bezel is designed to be used with the **C-more** 6" Micro-Graphic panels. The keypad includes four directional arrow cursor buttons, a full numeric keypad, and one each of an ESCAPE, MENU, CLEAR and two ENTER buttons. The keypad is intended to be used with the numeric entry object (Style 3) to allow changing of a value, and can also be used to navigate & select screen objects. The numeric buttons can be

used to enter a new value, or use the cursor left and right buttons to select a digit and the cursor up and down buttons to change the value, along with the ENTER and CLEAR buttons. It can also be used to access and navigate the screen selector feature. The 6" panels mount directly into the bezel; no panel configuration is required.

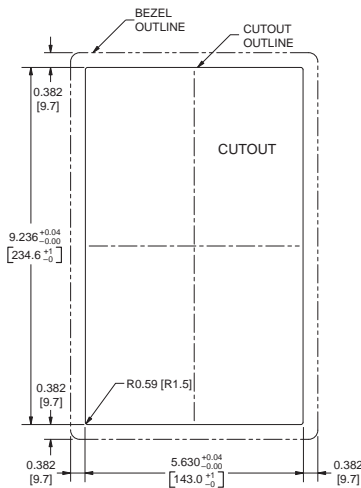
Part No. EA-MG-BZ2P



Dimensions

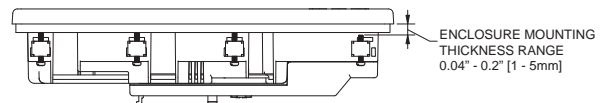


Panel Cutout



Four directional cursor buttons, numeric buttons, and ESC, MENU, CLEAR and ENTER buttons.

Panel Thickness



21-Button Keypad Bezel Specifications

Part Number	EA-MG6-BZ2P
General	
• Micro-Graphic Panels Supported	EA-S6ML, EA-S6MLW
• Connection	Connects with expansion connector on the rear of the C-more 6" Micro-Graphic panel.
• Power Consumption	None
• Keypad Button Life	Minimum of 500,000 cycles
• Enclosure Mounting	(8) mounting clips, EA-MG-BZ2-BRK, included. Note: The C-more 6" Micro-Graphic panel is installed into the keypad bezel using the (4) mounting clips, EA-MG-BZ2-BRK, that are supplied with the panel.
Physical	
• Dimensions	6.394" (W) x 10.000" (H) x 2.488" (D) [162.4 mm x 254.0 mm x 63.2 mm]
• Weight	26.1 oz. [740 g]
Environmental	
See Micro-Graphic panel specifications at the beginning of this catalog section	

C-more 6" Micro-Graphic Panel Accessories

PLC Overview

DL05/06 PLC

DL105 PLC

DL205 PLC

DL305 PLC

DL405 PLC

Field I/O

Software

C-more HMI's

Other HMI

AC Drives

Motors

Steppers/Servos

Motor Controls

Proximity Sensors

Photo Sensors

Limit Switches

Encoders

Current Sensors

Pushbuttons/Lights

Process

Relays/Timers

Comm.

TB's & Wiring

Power

Circuit Protection

Enclosures

Appendix

Part Index

D-SUB 15-pin 90-degree Communication Port Adapter

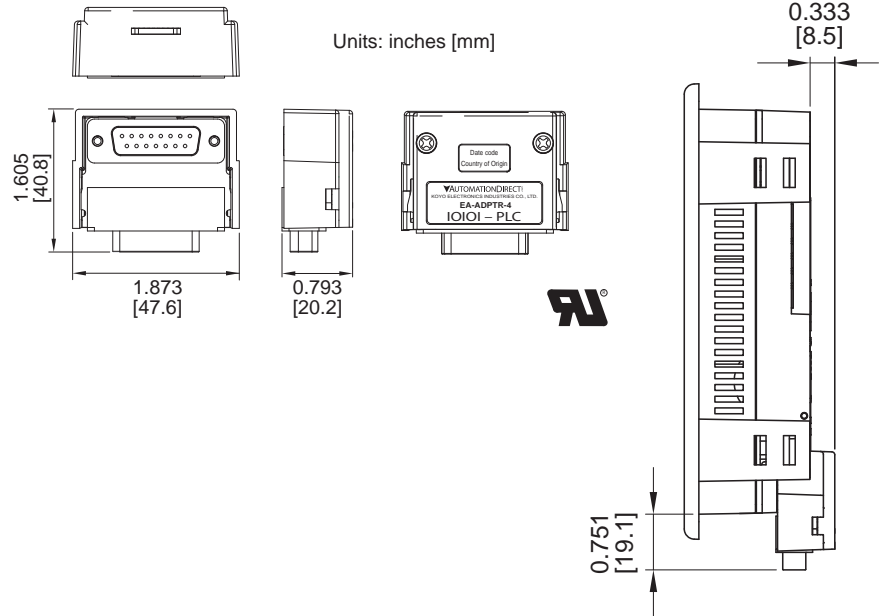
The EA-ADPTR-4 adapter plugs into the 15-pin serial port on the rear of the panel to allow a PLC communication cable to be plugged in at a 90 degree angle to reduce panel depth requirements. 15-pin straight through pin-out. UL Recognized.

Part No.
EA-ADPTR-4



Dimensions

Units: inches [mm]



D-SUB 15-pin to Terminal Block Adapter

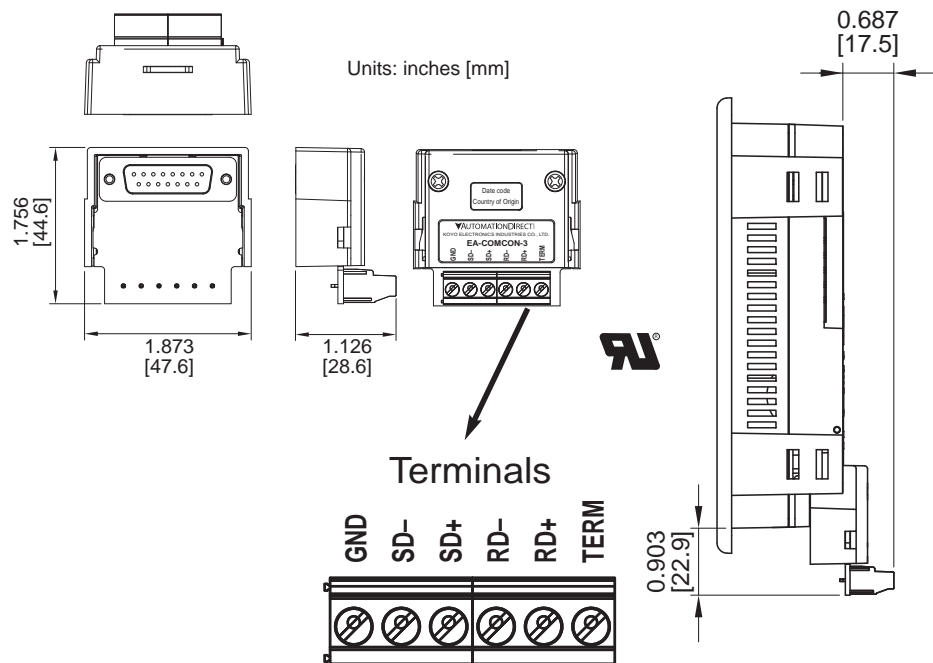
The EA-COMCON-3 adapter plugs into the 15-pin serial port on the rear of the panel to allow wire terminal connections for an RS-422/RS-485/DH-485 PLC communication cable. UL Recognized.

Part No.
EA-COMCON-3



Dimensions

Units: inches [mm]



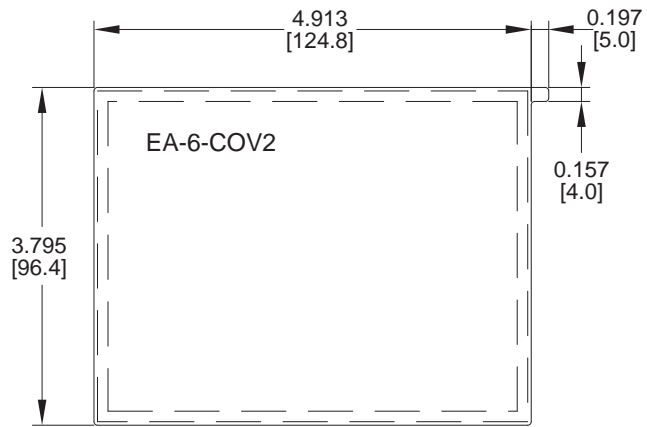
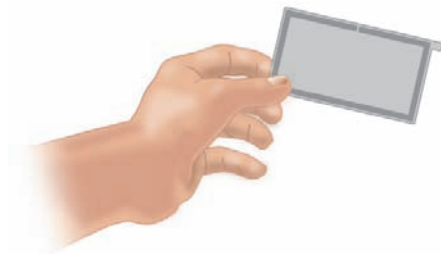
C-more 6" Micro-Graphic Panel Accessories

Clear Screen Overlay

Optional clear screen overlay used to protect C-more 6" Micro-Graphic displays from minor scratches and wear. Package contains 3 clear screen overlays.

Part No. EA-6-COV2

Dimensions



Clear Screen Overlay Installation

Step 1



Remove the overlay from the package

Step 2



Remove the paper backing from the overlay

Step 3



Align the overlay with the screen and press the adhesive firmly into place

Step 4



Remove the protective film*



*Note: The overlay cover ships with a thin protective film on the face that should be carefully removed after installation.